



Republic of the Philippines  
**Department of Education**  
SCHOOLS DIVISION OF DAVAO ORIENTAL  
REGION XI

---

**School: Pintatagan Elementary School**



**Prepared by:**

  
JAY-AR G. OCEÑA  
ENGR - III

  
RICK BRYAN B. LIGUID  
TECHNICAL ASSISTANT

**Checked by:**

  
ERNESTO H. CABANES, MAED  
SGOD CHIEF

**Recommending Approval:**

  
CHRISTIAN N. SANGO  
ASST. SCHOOL DIVISION SUPER INTENDENT

**Approved By:**

  
DR. JOSPHINE L. FADUL  
SCHOOL DIVISION SUPER INTENDENT



# PROPOSED BEFF - LEARNING CONTINUITY SPACE (LCS) SLAB ON GRADE (SOG)

## PROGRAM OF WORKS

Prepared by:

  
**ENGR. MARLON A. MENDOZA**

TA IV  
EFD-HRODI

Recommending Approval:

  
**MICHAEL OLIVER M. DE GUZMAN**

Director III  
EFD-HRODI

Approved by:

  
**AURELIO PAULO R. BARTOLOME**

Assistant Secretary  
DepEd, Human Resource and Organizational  
Development And Infrastructure

Approved by:

  
**WILFREDO E. CABRAL**

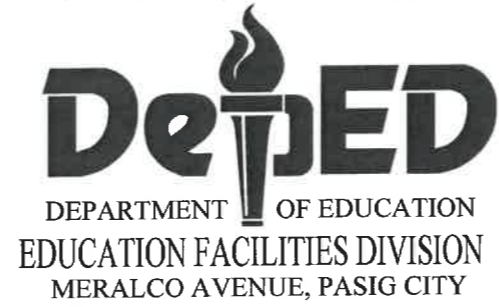
Undersecretary  
DepEd, Human Resource and Organizational  
Development And Infrastructure



1  
A-1
**PERSPECTIVE**  
 SCALE NTS

REPUBLIC OF THE PHILIPPINES  <b>DepED</b> DEPARTMENT OF EDUCATION EDUCATION FACILITIES DIVISION MERRALCO AVENUE, PASIG CITY	DRAWN BY :  <b>CAMILLE ANN R. RAPOSA</b> ARCHITECT DepED, EPD-HR001	CHECKED BY :  <b>FELIX F. VILLANUEVA, JR.</b> ARCHITECT DepED, EPD-HR001	RECOMMENDING APPROVAL : (SEE COVER PAGE) <b>MICHAEL OLIVER M. DE GUZMAN</b> DIRECTOR II DepED, EPD-HR001	APPROVED BY : (SEE COVER PAGE) <b>AURELIO PAULO R. BARTOLOME</b> ASSISTANT SECRETARY DEPED, HUMAN RESOURCE AND ORGANIZATIONAL DEVELOPMENT AND INFRASTRUCTURE	APPROVED BY : (SEE COVER PAGE) <b>WILFREDO E. CABRAL</b> UNDERSECRETARY DEPED, HUMAN RESOURCE AND ORGANIZATIONAL DEVELOPMENT AND INFRASTRUCTURE	PROJECT TITLE : <b>PROPOSED BEFF - LEARNING          CONTINUITY SPACE (LCS)          SLAB ON GRADE (SOG)</b>	PROJECT CODE :	OWNER : <b>DEPARTMENT OF EDUCATION          DepED</b> SHEET CONTENTS : - PERSPECTIVE - TABLE OF CONTENTS - GENERAL NOTES	SHEET NO : <span style="border: 1px solid black; border-radius: 50%; padding: 10px; display: inline-block; text-align: center;">A-1 4</span>
--	---	--	--	---	--	---	----------------	---	---

REPUBLIC OF THE PHILIPPINES




## DETAILED ARCHITECTURAL AND ENGINEERING (DAED) PLANS

# PROPOSED BEFF - LEARNING CONTINUITY SPACE (LCS) SLAB ON GRADE (SOG)


RECOMMENDING APPROVAL:

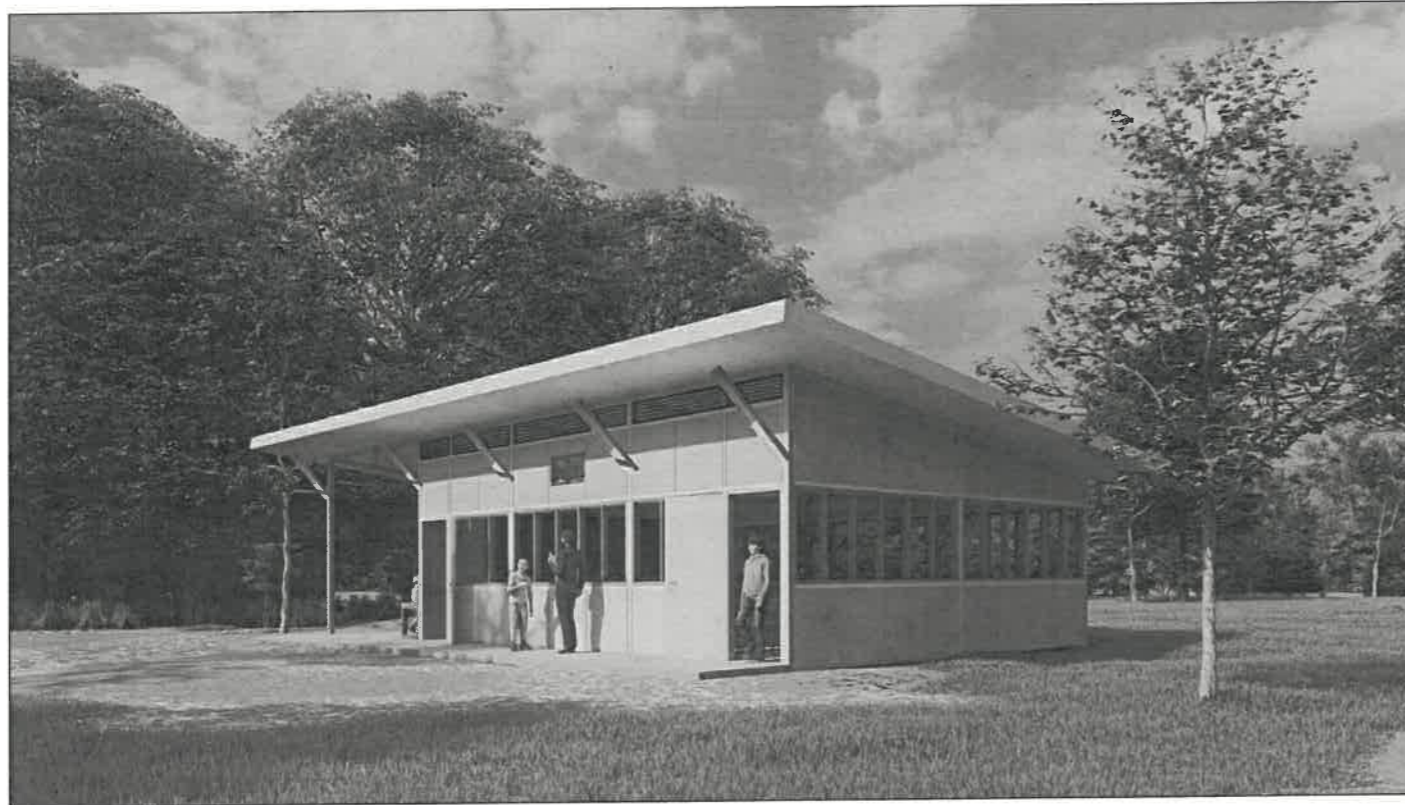
  
MICHAEL OLIVER M. DE GUZMAN  
DIRECTOR III  
DEPED, EFD-HRODI

APPROVED BY:

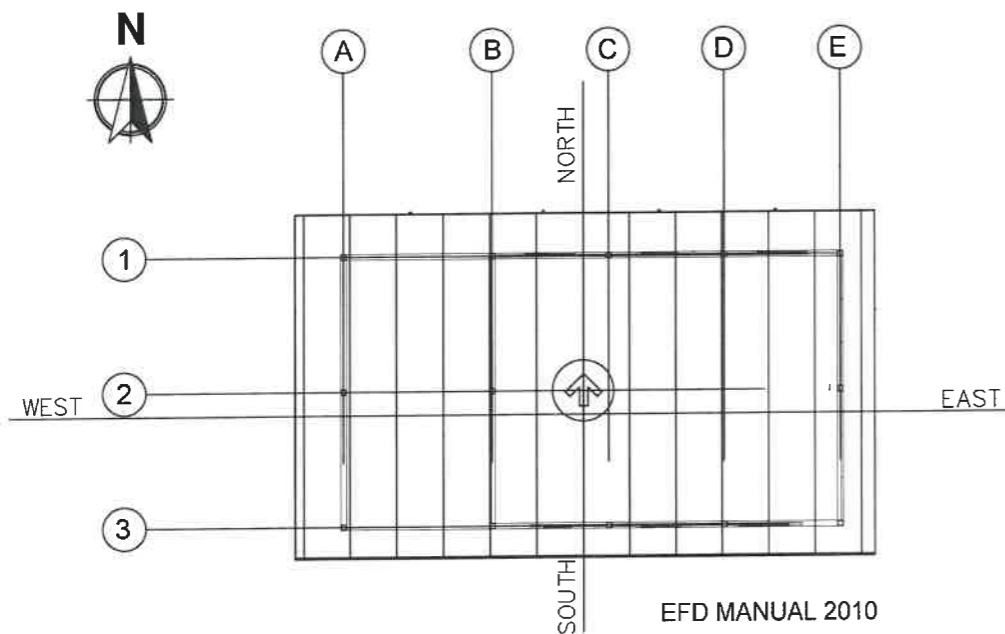
  
AURELIO PAULO R. BARTOLOME  
ASSISTANT SECRETARY  
DEPED, HUMAN RESOURCE AND ORGANIZATIONAL  
DEVELOPMENT AND INFRASTRUCTURE

APPROVED BY:

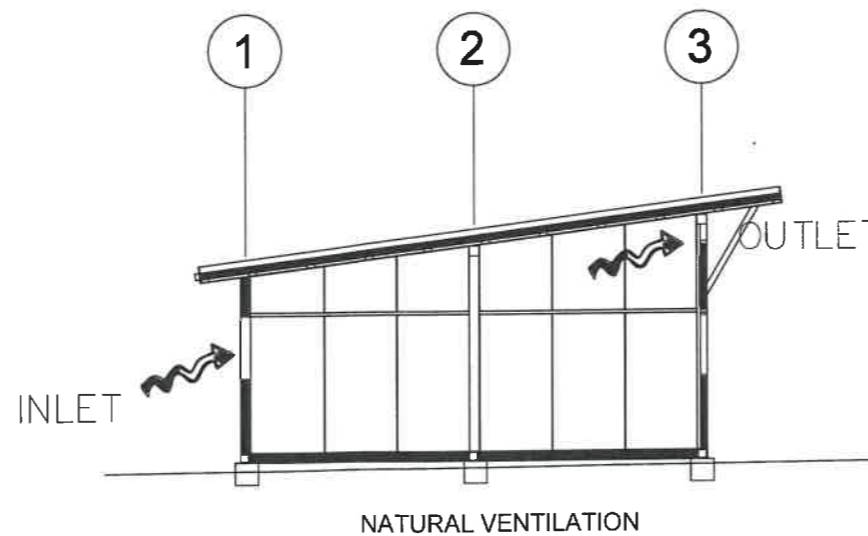
  
WILFREDO E. CABRAL  
UNDERSECRETARY  
DEPED, HUMAN RESOURCE AND ORGANIZATIONAL  
DEVELOPMENT AND INFRASTRUCTURE



1 PERSPECTIVE  
A-1 SCALE NTS



PROPER SITE ORIENTATION



GENERAL DESIGN PRINCIPLE

TABLE OF CONTENTS

ARCHITECTURAL PLANS

**A-1**  
PERSPECTIVE  
TABLE OF CONTENT  
PROPER SITE ORIENTATION  
GENERAL DESIGN PRINCIPLE

**A-2**  
GROUND FLOOR PLAN  
FRONT ELEVATION  
REAR ELEVATION  
RIGHT SIDE ELEVATION  
LEFT SIDE ELEVATION

**A-3**  
SCHEDULE OF DOORS AND  
WINDOWS  
BLOW-UP DETAIL OF  
GUTTER

**A-4**  
ROOF PLAN  
LONGITUDINAL SECTION  
CROSS SECTION  
REFLECTED CEILING PLAN

STRUCTURAL PLANS

**S-1**  
FOUNDATION PLAN  
ROOF FRAMING PLAN  
FRONT WALL SCHEDULE  
REAR WALL SCHEDULE

**S-2**  
STRUCTURAL FRAMES (3D)  
RIGHT SIDE WALL SCHEDULE  
LEFT SIDE WALL SCHEDULE (TLS)  
LEFT SIDE WALL SCHEDULE (TWF)  
SCHEDULE OF WALL PANELS

**S-3**  
ROOF BEAM TO POST  
RAFTER TO POST  
WALL FRAME TO POST  
PURLINS TO RAFTER  
PEDESTAL AND FOUNDATION

ELECTRICAL PLANS

**E-1**  
LIGHTING LAYOUT  
POWER LAYOUT

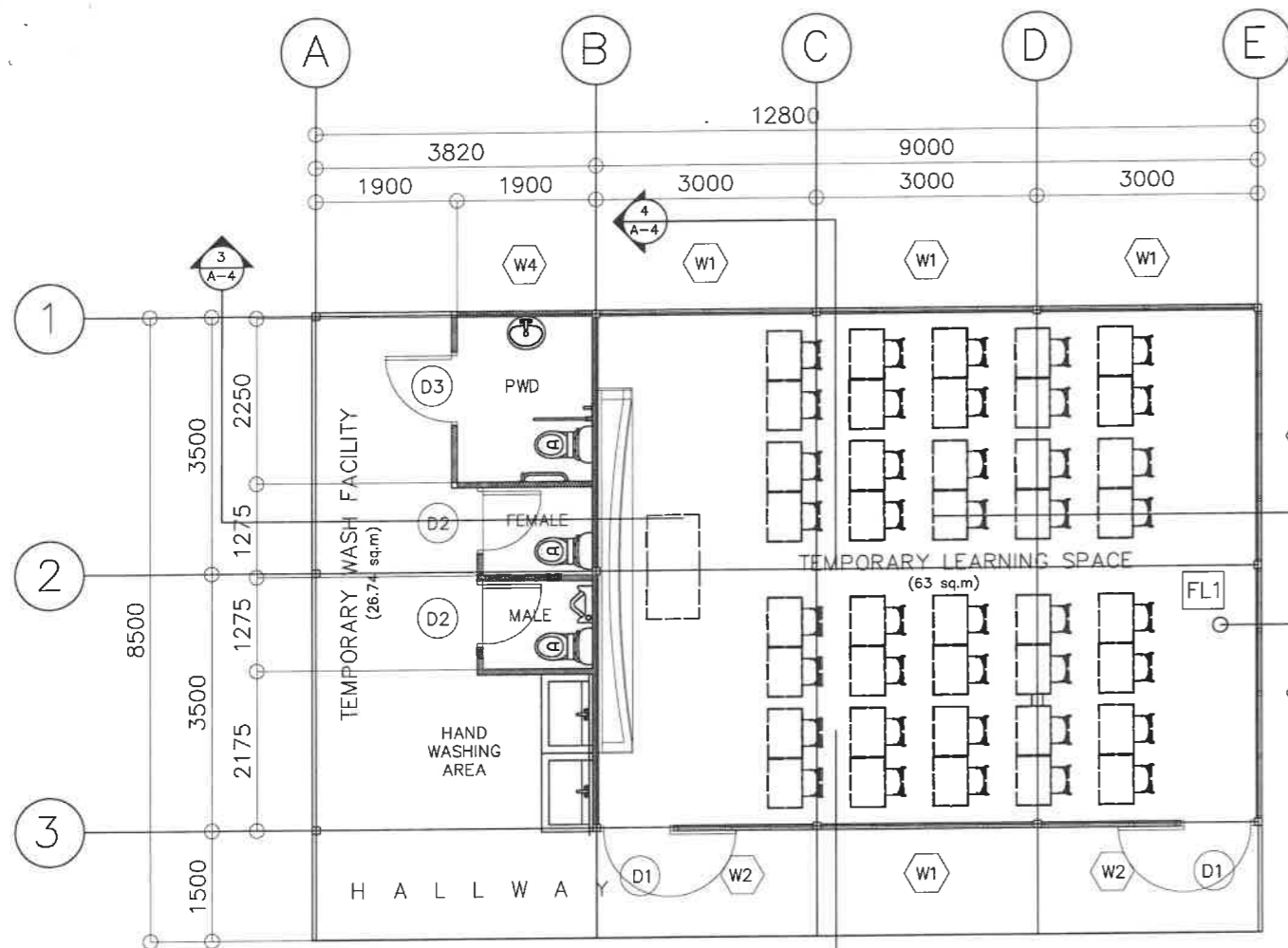
**E-2**  
GENERAL NOTES  
LEGEND & SYMBOLS  
SCHEDULE OF LOADS  
SINGLE LINE DIAGRAM  
ELECTRICAL RISER DIAGRAM

PLUMBING PLANS

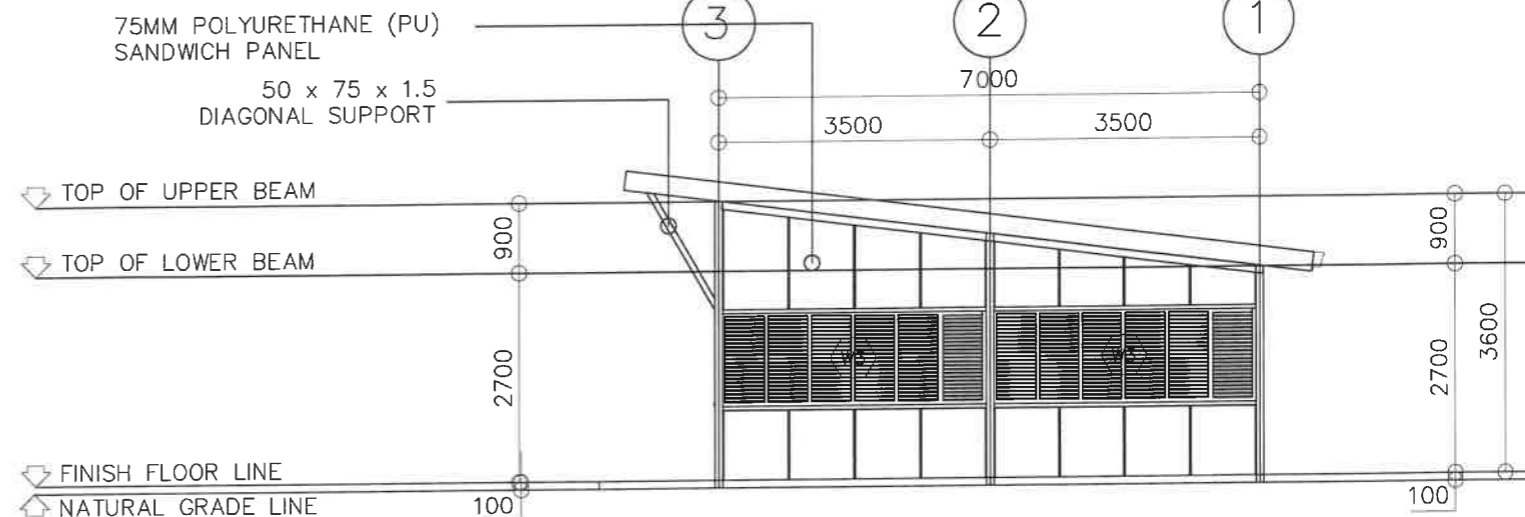
**P-1**  
WATERLINE LAYOUT  
SANITARY LINE LAYOUT  
GENERAL NOTES  
LEGEND  
STORAGE TANK DETAIL

**P-2**  
DRAINAGE LINE LAYOUT  
ISOMETRIC DIAGRAM WATER LINE,  
SANITARY & DRAINAGE LINE  
LAYOUT  
RAIN WATER HARVESTING  
SYSTEM DIAGRAM

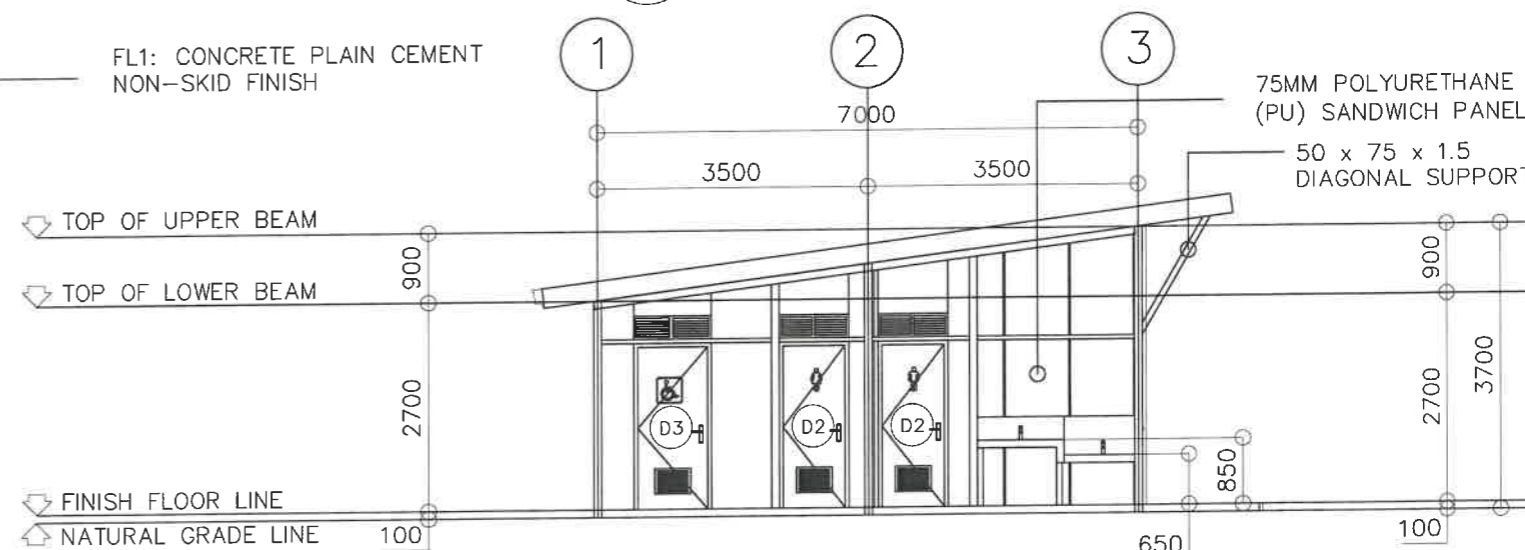
<p>REPUBLIC OF THE PHILIPPINES DEPARTMENT OF EDUCATION EDUCATION FACILITIES DIVISION MERALCO AVENUE, PASIG CITY</p>	DRAWN BY :	CHECKED BY :	RECOMMENDING APPROVAL :	APPROVED BY :	APPROVED BY :	PROJECT TITLE :	PROJECT CODE :	OWNER :	SHEET NO. :
	<p><i>Camille Ann C. Rarosa</i> CAMILLE ANN C. RAROSA ARCHITECT DepED, EFD-HRODI</p>	<p><i>Felix F. Villanueva, Jr.</i> FELIX F. VILLANUEVA, JR. ARCHITECT DepED, EFD-HRODI</p>	<p>(SEE COVER PAGE) MICHAEL OLIVER M. DE GUZMAN DIRECTOR III DepED, EFD-HRODI</p>	<p>(SEE COVER PAGE) AURELIO PAULO R. BARTOLOME ASSISTANT SECRETARY DEPED, HUMAN RESOURCE AND ORGANIZATIONAL DEVELOPMENT AND INFRASTRUCTURE</p>	<p>(SEE COVER PAGE) WILFREDO E. CABRAL UNDERSECRETARY DEPED, HUMAN RESOURCE AND ORGANIZATIONAL DEVELOPMENT AND INFRASTRUCTURE</p>	<p>PROPOSED BEFF - LEARNING CONTINUITY SPACE (LCS) SLAB ON GRADE (SOG)</p>			<p>DEPARTMENT OF EDUCATION DepED</p>
<p>SHEET CONTENTS :</p> <ul style="list-style-type: none"> <li>- PERSPECTIVE</li> <li>- TABLE OF CONTENTS</li> <li>- GENERAL NOTES</li> </ul>									



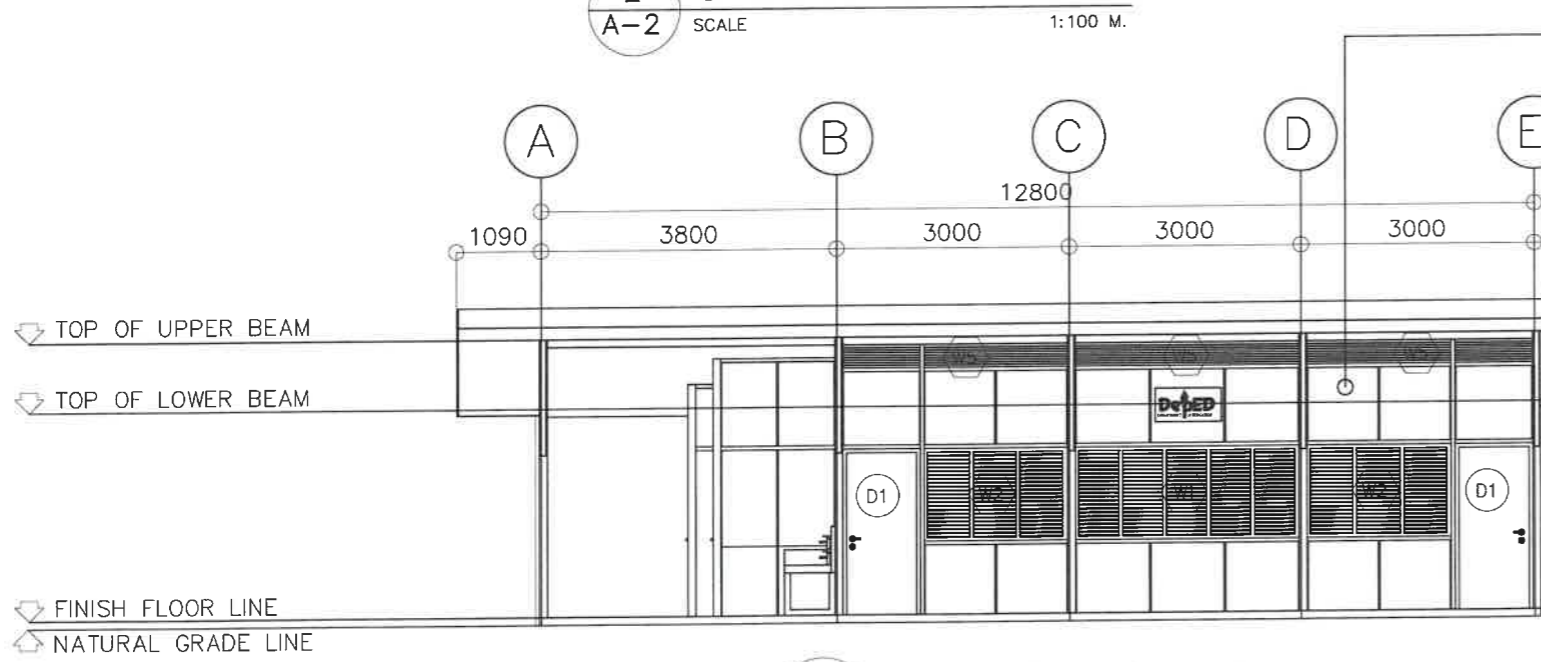
**2 GROUND FLOOR PLAN**  
A-2 SCALE 1:100 M.



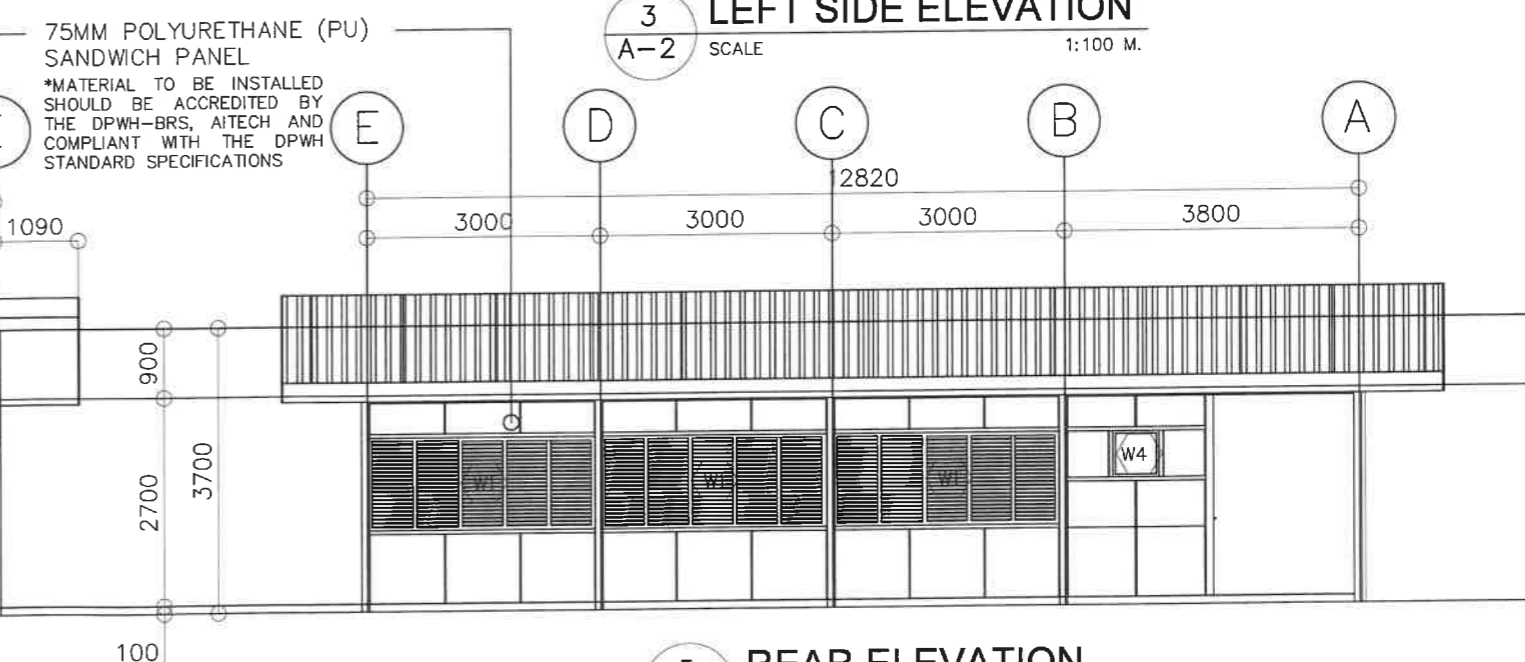
**1 RIGHT SIDE ELEVATION**  
A-2 SCALE 1:100 M.



**3 LEFT SIDE ELEVATION**  
A-2 SCALE 1:100 M.



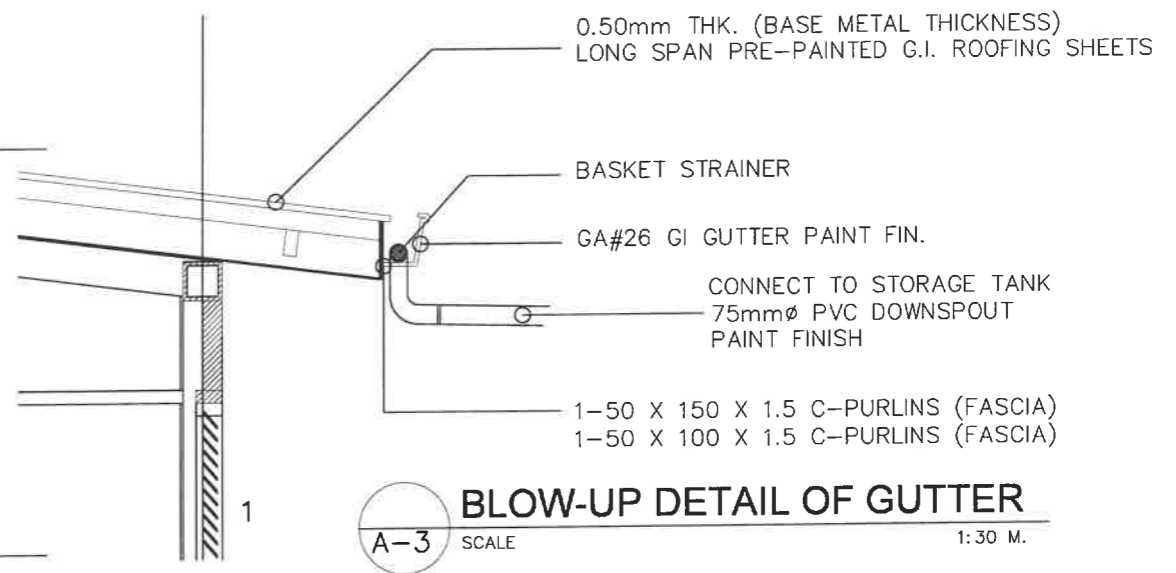
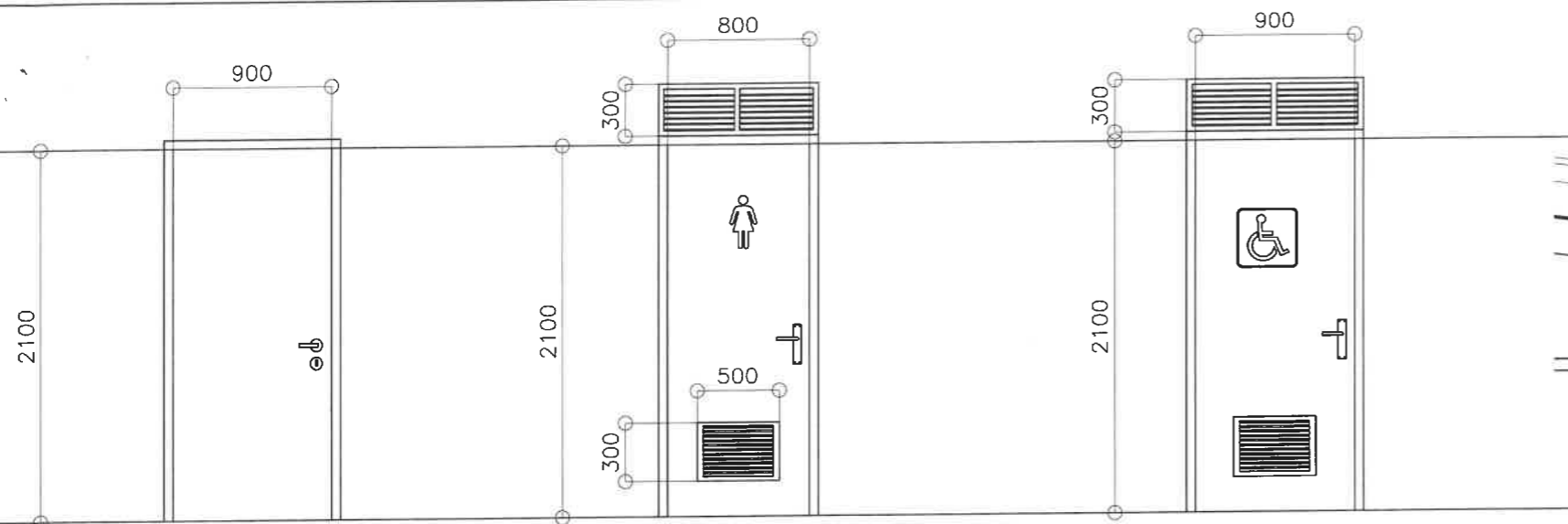
**4 FRONT ELEVATION**  
A-2 SCALE 1:100 M.



**5 REAR ELEVATION**  
A-2 SCALE 1:100 M.

REPUBLIC OF THE PHILIPPINES DEPARTMENT OF EDUCATION EDUCATION FACILITIES DIVISION MERALCO AVENUE, PASIG CITY	DRAWN BY :  CAMILLE ANN C. RAPOSA ARCHITECT DepED, EFD-HRODI	CHECKED BY :  FELIX F. VILLANUEVA, JR. ARCHITECT DepED, EFD-HRODI	RECOMMENDING APPROVAL : (SEE COVER PAGE) MICHAEL OLIVER M. DE GUZMAN DIRECTOR III DepED, EFD-HRODI	APPROVED BY : (SEE COVER PAGE) AURELIO PAULO R. BARTOLOME ASSISTANT SECRETARY DEPED, HUMAN RESOURCE AND ORGANIZATIONAL DEVELOPMENT AND INFRASTRUCTURE	APPROVED BY : (SEE COVER PAGE) WILFREDO E. CABRAL UNDERSECRETARY DEPED, HUMAN RESOURCE AND ORGANIZATIONAL DEVELOPMENT AND INFRASTRUCTURE	PROJECT TITLE : <b>PROPOSED BEFF - LEARNING          CONTINUITY SPACE (LCS)          SLAB ON GRADE (SOG)</b>	PROJECT CODE :	OWNER : <b>DEPARTMENT OF EDUCATION          DepED</b>	SHEET NO. : <b>A-2          4</b>
---	--	---	--	--	---	---	----------------	--	--

SHEET CONTENTS :  
 GROUND FLOOR PLAN  
 FRONT ELEVATION  
 REAR ELEVATION  
 RIGHT SIDE ELEVATION  
 LEFT SIDE ELEVATION



**BLOW-UP DETAIL OF GUTTER**  
 A-3 SCALE 1:30 M.

**D1** LOCATION: CLASSROOM

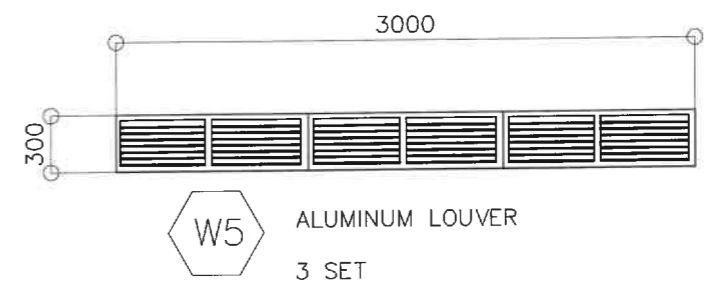
HOLLOW CORE FLUSH TYPE W/ COMPLETE HARDWARE AND ACCESSORIES  
 2 SETS

**D2** LOCATION: MALE & FEMALE TOILET

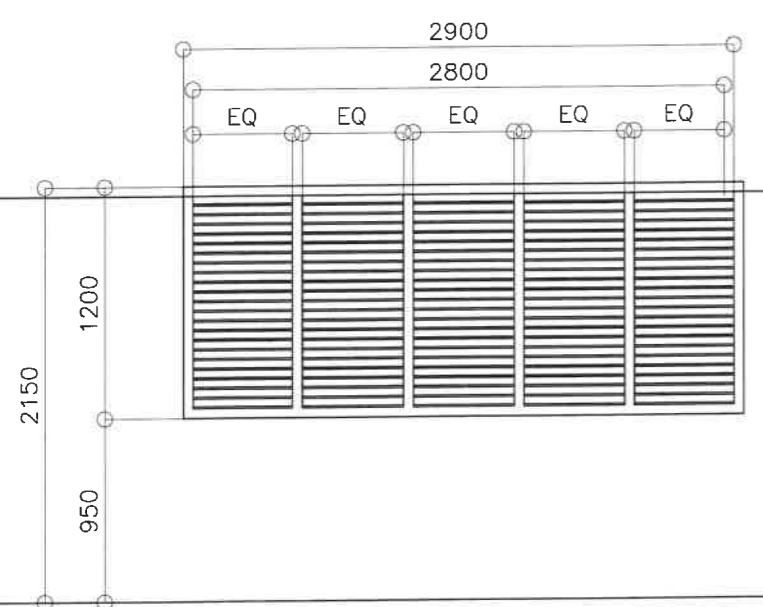
HOLLOW CORE FLUSH TYPE W/ COMPLETE HARDWARE, ACCESSORIES AND FIXED ALUMINUM LOUVER  
 2 SETS

**D3** LOCATION: PWD TOILET

HOLLOW CORE FLUSH TYPE W/ COMPLETE HARDWARE, ACCESSORIES AND FIXED ALUMINUM LOUVER  
 1 SET

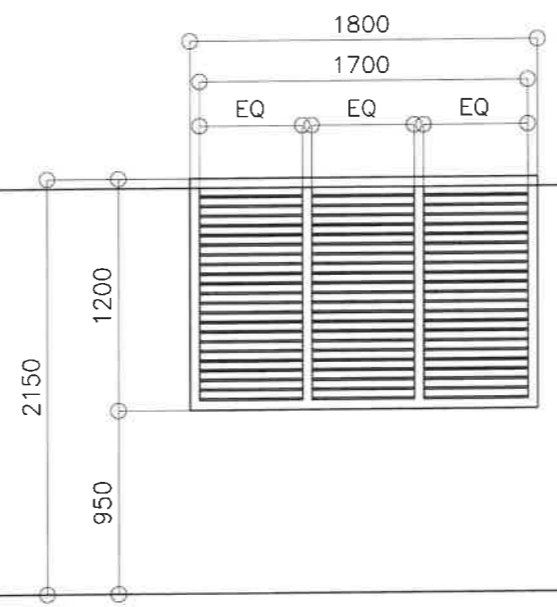


**W5** ALUMINUM LOUVER  
 3 SET



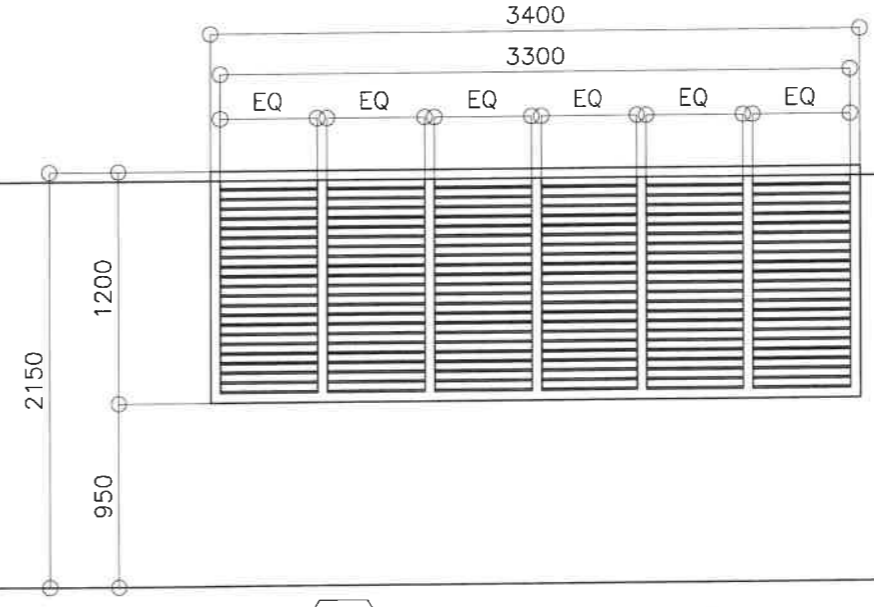
**W1** LOCATION: FRONT & REAR ELEVATION

5mm THICK JALOUSIE WINDOWS WITH CLEAR GLASS BLADES ON STANDARD JALOUSIE CASING WITH COMPLETE HARDWARE AND ACCESSORIES  
 4 SETS



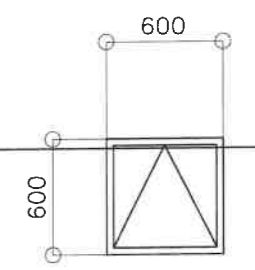
**W2** LOCATION: FRONT ELEVATION

5mm THICK JALOUSIE WINDOWS WITH CLEAR GLASS BLADES ON STANDARD JALOUSIE CASING WITH COMPLETE HARDWARE AND ACCESSORIES  
 2 SETS



**W3** LOCATION: RIGHT SIDE ELEVATION

5mm THICK JALOUSIE WINDOWS WITH CLEAR GLASS BLADES ON STANDARD JALOUSIE CASING WITH COMPLETE HARDWARE AND ACCESSORIES  
 2 SETS



**W4** LOCATION: PWD TOILET

6mm THICK AWNING WINDOW CLEAR GLASS BLADES ON STEEL/JAM FRAMING WITH COMPLETE HARDWARE AND ACCESSORIES  
 1 SET

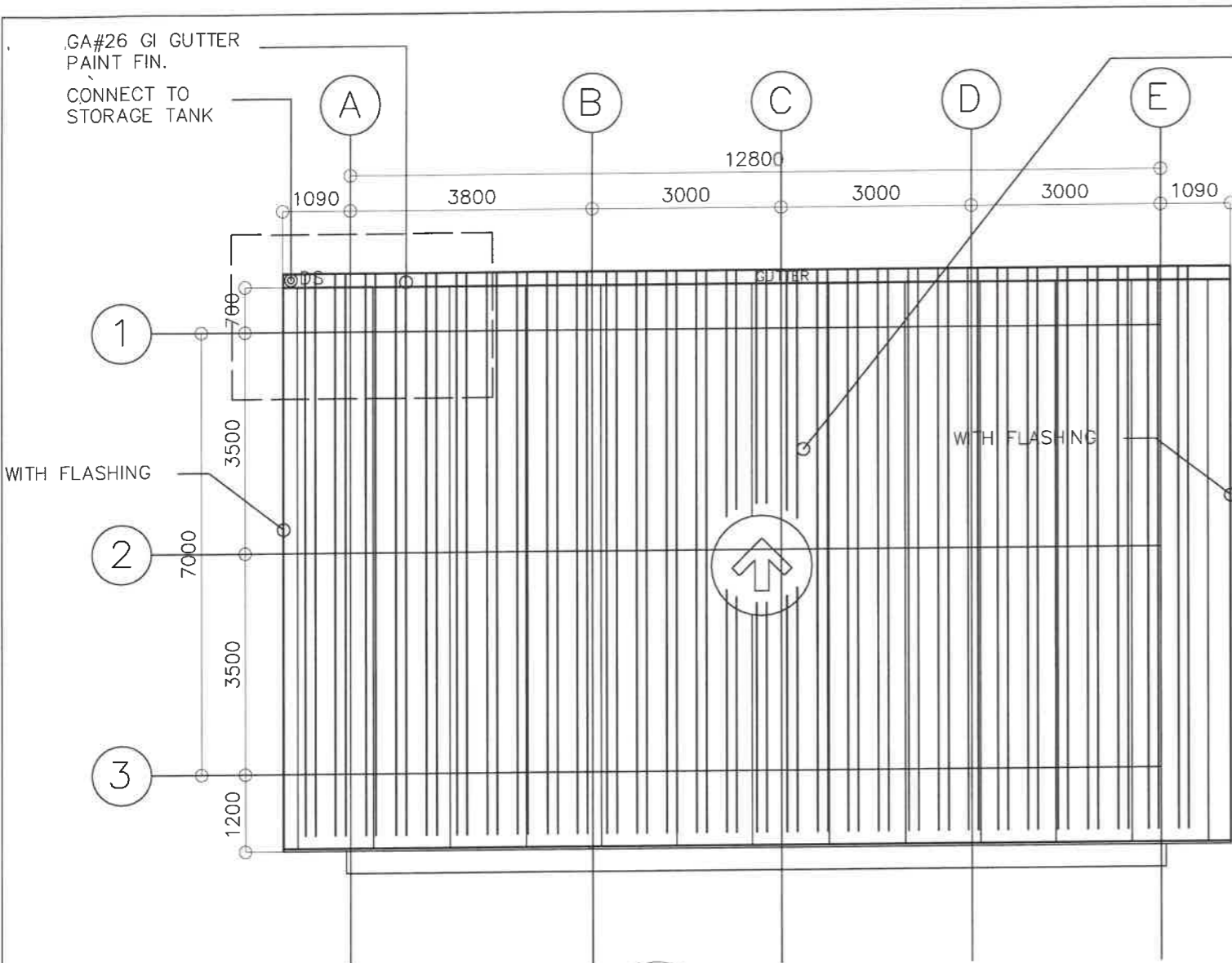
**2 SCHEDULE OF DOORS AND WINDOWS**  
 A-3 SCALE 1:40 M.

	DRAWN BY :	CHECKED BY :	RECOMMENDING APPROVAL :	APPROVED BY :	APPROVED BY :	PROJECT TITLE :	PROJECT CODE :	OWNER :	SHEET NO. :
	 CAMILLE ANN G. RAPOSA ARCHITECT DepED, EFD-HRODI	 FELIX F. VILLANUEVA, JR. ARCHITECT DepED, EFD-HRODI	(SEE COVER PAGE) MICHAEL OLIVER M. DE GUZMAN DIRECTOR III DepED, EFD-HRODI	(SEE COVER PAGE) AURELIO PAULO R. BARTOLOME ASSISTANT SECRETARY DEPED, HUMAN RESOURCE AND ORGANIZATIONAL DEVELOPMENT AND INFRASTRUCTURE	(SEE COVER PAGE) WILFREDO E. GABRAL UNDERSECRETARY DEPED, HUMAN RESOURCE AND ORGANIZATIONAL DEVELOPMENT AND INFRASTRUCTURE	PROPOSED BEFF - LEARNING CONTINUITY SPACE (LCS) SLAB ON GRADE (SOG)		DEPARTMENT OF EDUCATION DepED	SHEET NO. : BLOW-UP DETAIL OF GUTTER SCHEDULE OF DOORS AND WINDOWS

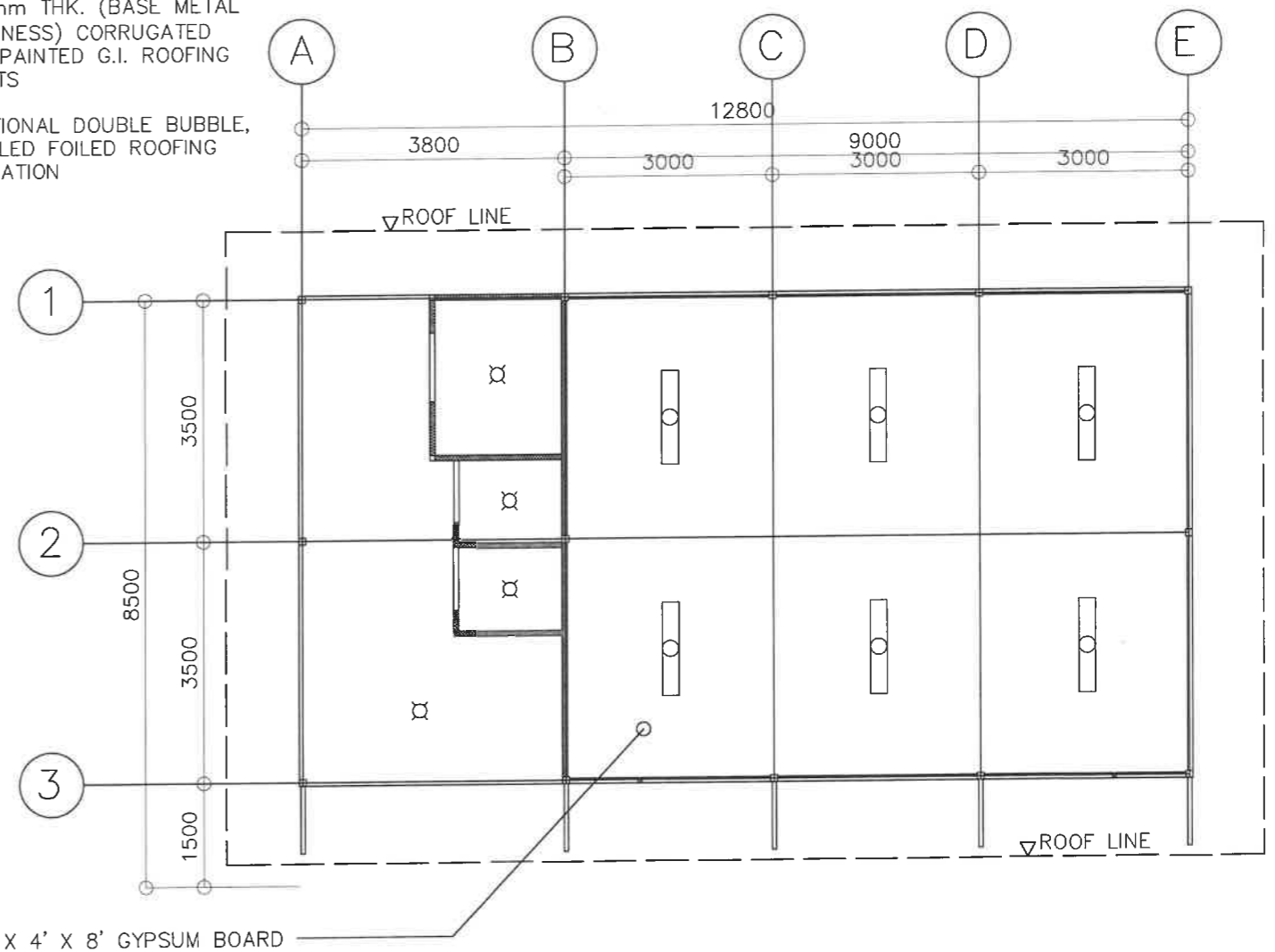
GA#26 GI GUTTER  
PAINT FIN.  
CONNECT TO  
STORAGE TANK

0.50mm THK. (BASE METAL  
THICKNESS) CORRUGATED  
PRE-PAINTED G.I. ROOFING  
SHEETS

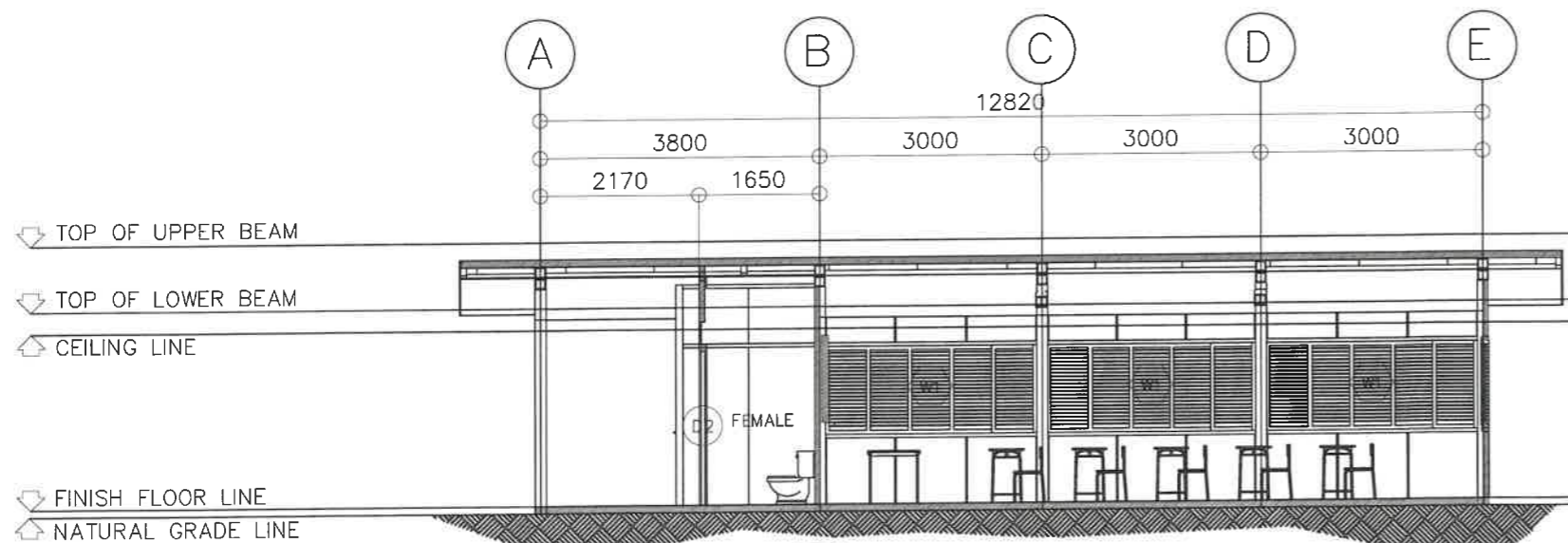
ADDITIONAL DOUBLE BUBBLE,  
DOUBLED FOILED ROOFING  
INSULATION



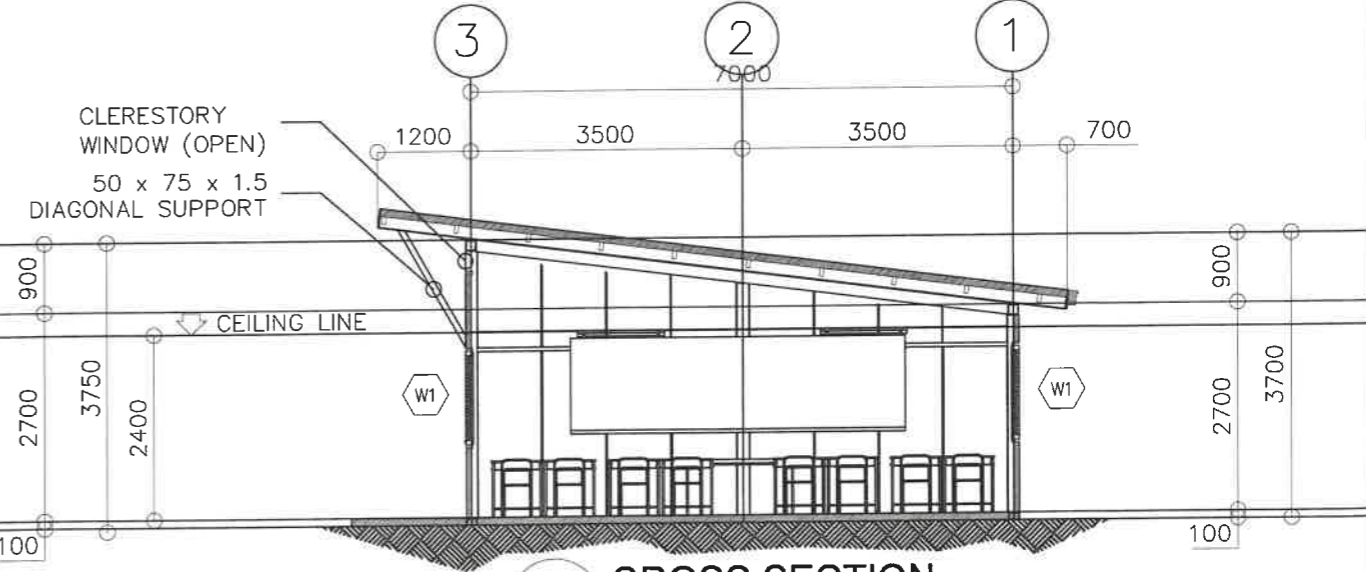
1 ROOF PLAN  
A-4 SCALE 1:100 M.



2 REFLECTED CEILING PLAN  
A-4 SCALE 1:100 M.

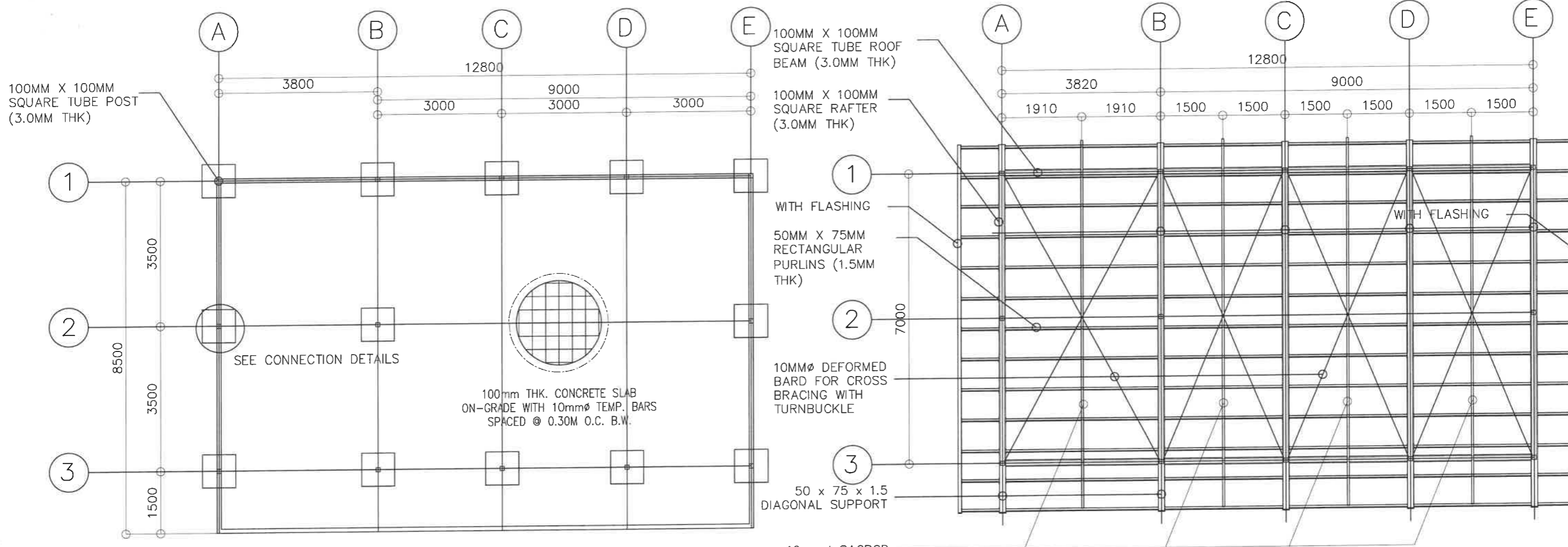


3 LONGITUDINAL SECTION  
A-4 SCALE 1:100 M.



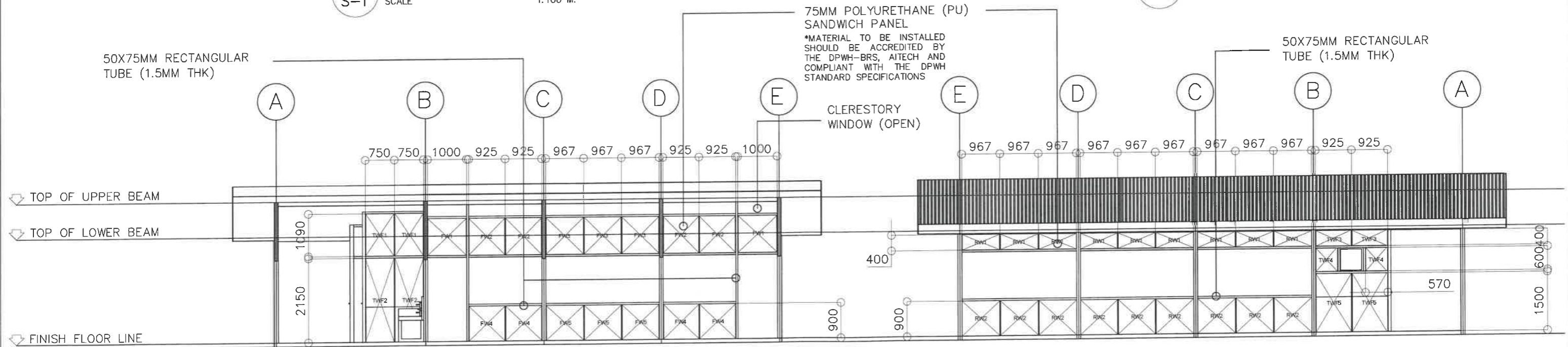
4 CROSS SECTION  
A-4 SCALE 1:100 M.

<p>REPUBLIC OF THE PHILIPPINES DEPARTMENT OF EDUCATION EDUCATION FACILITIES DIVISION MERALCO AVENUE, PASIG CITY</p>	<p>DRAWN BY :</p> <p><i>Camille Ann C. Ramos</i> CAMILLE ANN C. RAMOS ARCHITECT DepED, EFD-HRODI</p>	<p>CHECKED BY :</p> <p><i>Felix F. Villanueva, Jr.</i> FELIX F. VILLANUEVA, JR. ARCHITECT DepED, EFD-HRODI</p>	<p>RECOMMENDING APPROVAL :</p> <p>(SEE COVER PAGE)</p> <p>MICHAEL OLIVER M. DE GUZMAN DIRECTOR III DepED, EFD-HRODI</p>	<p>APPROVED BY :</p> <p>(SEE COVER PAGE)</p> <p>AURELIO PAULO R. BARTOLOME ASSISTANT SECRETARY DEPED, HUMAN RESOURCE AND ORGANIZATIONAL DEVELOPMENT AND INFRASTRUCTURE</p>	<p>APPROVED BY :</p> <p>(SEE COVER PAGE)</p> <p>WILFREDO E. CARAL UNDERSECRETARY DEPED, HUMAN RESOURCE AND ORGANIZATIONAL DEVELOPMENT AND INFRASTRUCTURE</p>	<p>PROJECT TITLE :</p> <p>PROPOSED BEFF - LEARNING CONTINUITY SPACE (LCS) SLAB ON GRADE (SOG)</p>	<p>PROJECT CODE :</p>	<p>OWNER :</p> <p>DEPARTMENT OF EDUCATION DepED</p>	<p>SHEET NO.:</p> <p>A-4 4</p>
	<p>SHEET CONTENTS :</p> <ul style="list-style-type: none"> <li>ROOF PLAN</li> <li>REFLECTED CEILING PLAN</li> <li>LONGITUDINAL SECTION</li> <li>CROSS SECTION</li> </ul>								



**1 FOUNDATION PLAN**  
S-1 SCALE 1:100 M.

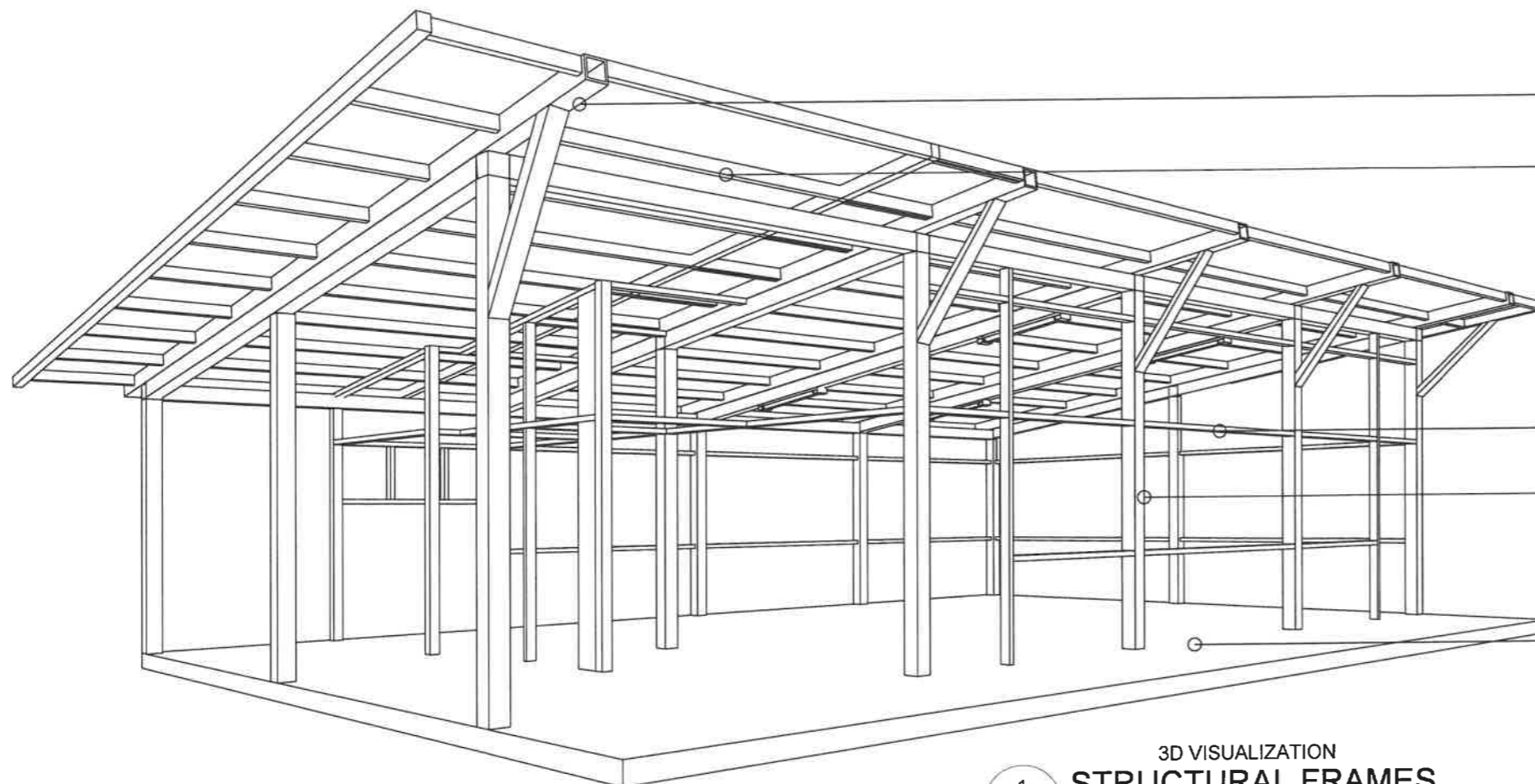
**2 ROOF FRAMING PLAN**  
S-1 SCALE 1:100 M.



**3 FRONT WALL SCHEDULE**  
S-1 SCALE 1:100 M.

**4 REAR WALL SCHEDULE**  
S-1 SCALE 1:100 M.

<p>REPUBLIC OF THE PHILIPPINES DEPARTMENT OF EDUCATION EDUCATION FACILITIES DIVISION MERALCO AVENUE, PASIG CITY</p>	DRAWN BY :  <b>JUNELSON P. CULLADO</b> CAD OPERATOR DepED, EFD-HRODI	CHECKED BY :  <b>WILFREDO D. ALARCON</b> STRUCTURAL ENGINEER DepED, EFD-HRODI	RECOMMENDING APPROVAL : (SEE COVER PAGE) <b>MICHAEL OLIVER M. DE GUZMAN</b> DIRECTOR III DepED, EFD-HRODI	APPROVED BY : (SEE COVER PAGE) <b>AURELIO PAULO R. BARTOLOME</b> ASSISTANT SECRETARY DEPED, HUMAN RESOURCE AND ORGANIZATIONAL DEVELOPMENT AND INFRASTRUCTURE	APPROVED BY : (SEE COVER PAGE)  <b>WILFREDO E. CEBAL</b> UNDERSECRETARY DEPED, HUMAN RESOURCE AND ORGANIZATIONAL DEVELOPMENT AND INFRASTRUCTURE	PROJECT TITLE : <b>PROPOSED BEFF - LEARNING CONTINUITY SPACE (LCS) SLAB ON GRADE (SOG)</b>	PROJECT CODE :	OWNER : <b>DEPARTMENT OF EDUCATION DepED</b>	SHEET NO : <b>S-1</b> <b>3</b>
	SHEET CONTENTS : FOUNDATION PLAN ROOF PLAN FRONT WALL SCHEDULE REAR WALL SCHEDULE								



- 100MM X 100MM SQUARE TUBE ROOF BEAM (3.0MM THK)
- 50MM X 75MM RECTANGULAR PURLINS (1.5MM THK)
- 50X75MM RECTANGULAR TUBE (1.5MM THK)
- 100MM X 100MM SQUARE TUBE POST (3.0MM THK)
- 100mm THK. CONCRETE SLAB ON-GRADE

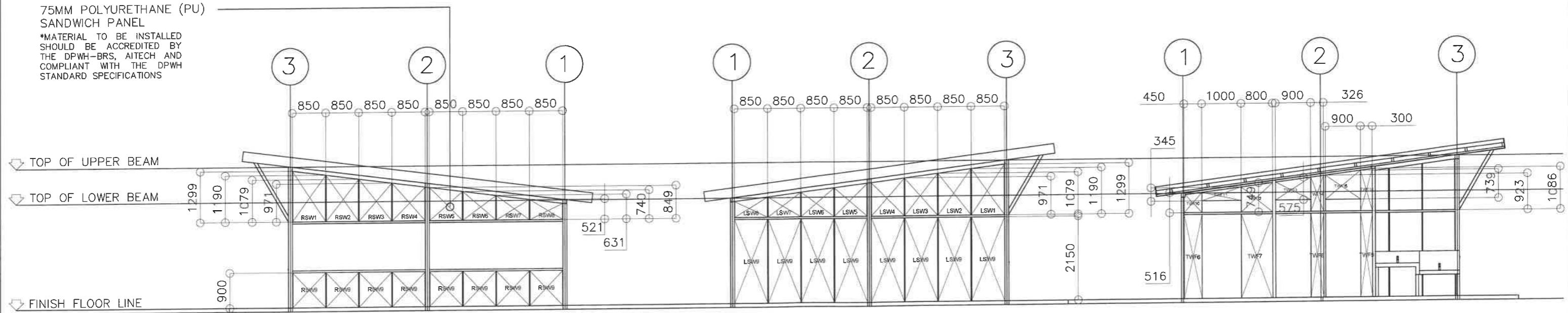
3D VISUALIZATION  
**STRUCTURAL FRAMES**  
1 S-2 SCALE NTS

**SCHEDULE OF WALL PANELS**

LEGEND		AREA/DIMENSION	QTY
FRONT WALL	FW1	1.00M X 0.95M	2
	FW2	0.925M X 0.95M	4
	FW3	0.967M X 0.95M	3
	FW4	0.925M X 0.90M	4
	FW5	0.967M X 0.90M	3
REAR WALL	RW1	0.967M X 0.40M	9
	RW2	0.967M X 1.0M	9
RIGHT SIDE WALL	RSW1	0.85M X 1.299M	1
	RSW2	0.85M X 1.19M	1
	RSW3	0.85M X 1.079M	1
	RSW4	0.85M X 0.971M	1
	RSW5	0.85M X 0.849M	1
	RSW6	0.85M X 0.740M	1
	RSW7	0.85M X 0.631M	1
	RSW8	0.85M X 0.521M	1
	RSW9	0.85M X 0.9M	8
LEFT SIDE WALL	LSW1	0.85M X 0.521M	1
	LSW2	0.85M X 0.631M	1
	LSW3	0.85M X 0.740M	1
	LSW4	0.85M X 0.849M	1
	LSW5	0.85M X 0.971M	1
	LSW6	0.85M X 1.079M	1
	LSW7	0.85M X 1.19M	1
	LSW8	0.85M X 1.299M	1
	LSW9	0.85M X 2.150M	8
TEMPORARY WASH FACILITIES WALL	TWF1	0.75M X 1.09M	6
	TWF2	0.75M X 2.150M	6
	TWF3	0.925M X 0.4M	2
	TWF4	0.57M X 0.60M	2
	TWF5	0.925M X 1.50M	2
	TWF6	0.45M X 2.15M	1
	TWF7	0.80M X 2.15M	1
	TWF8	0.326M X 2.15M	1
	TWF9	0.30M X 2.15M	1
	TWF10	0.45M X 0.516M	1
	TWF11	1.00M X 0.345M	1
	TWF12	0.80M X 0.749M	1
	TWF13	0.90M X 0.575M	1
	TWF14	0.326M X 0.923M	1
	TWF15	0.30M X 1.086M	1

\*VERIFY ACTUAL MEASUREMENT OF WALL ON-SITE

75MM POLYURETHANE (PU) SANDWICH PANEL  
\*MATERIAL TO BE INSTALLED SHOULD BE ACCREDITED BY THE DPWH-BRS, AITECH AND COMPLIANT WITH THE DPWH STANDARD SPECIFICATIONS

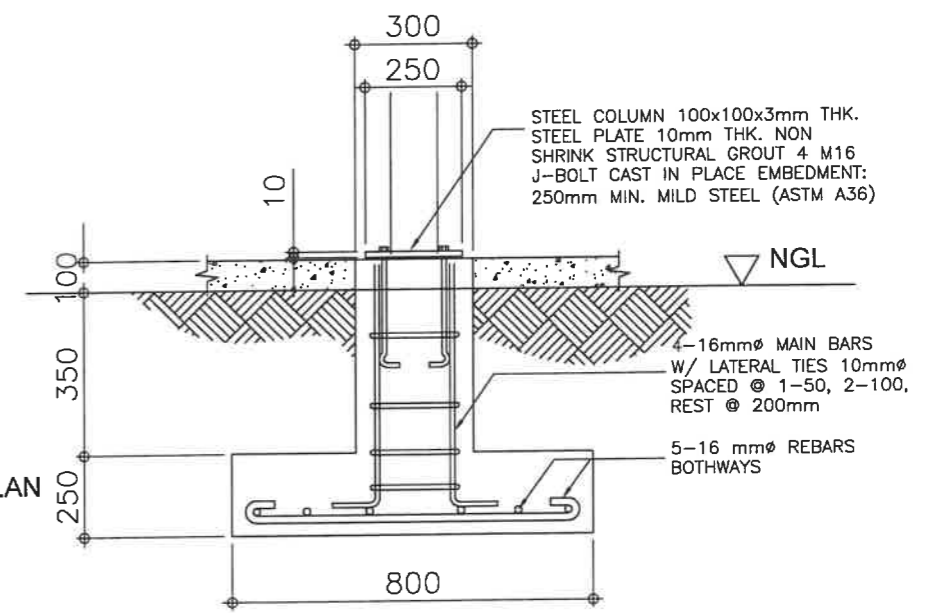
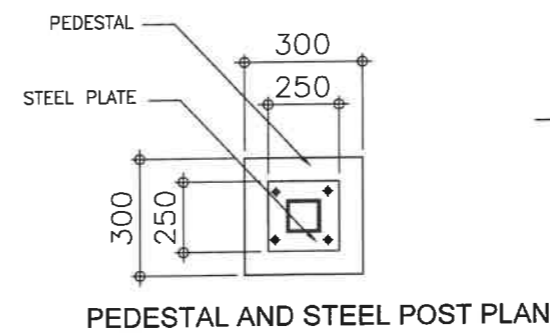
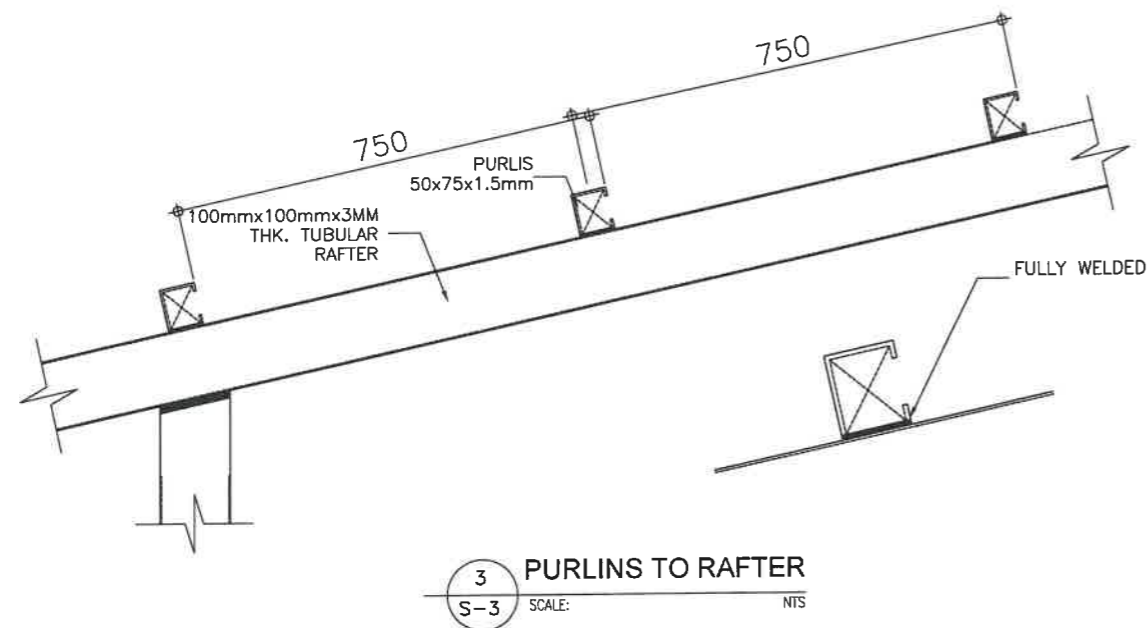
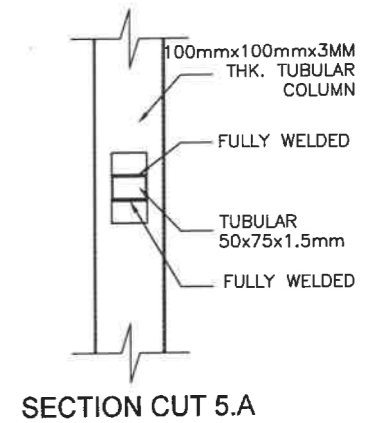
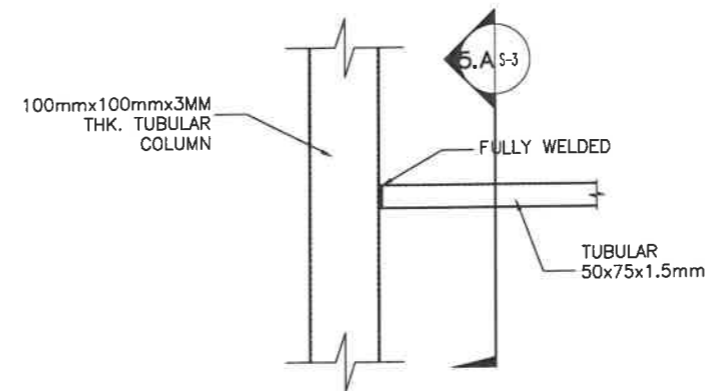
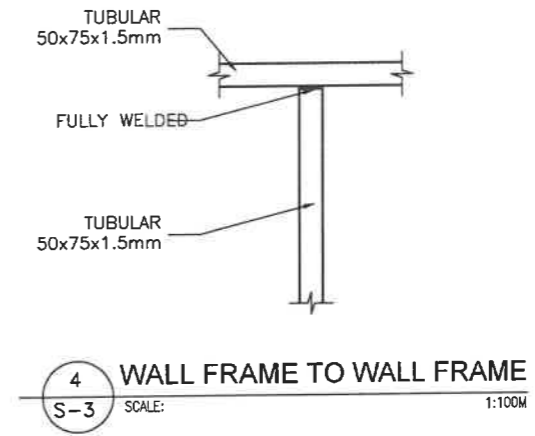
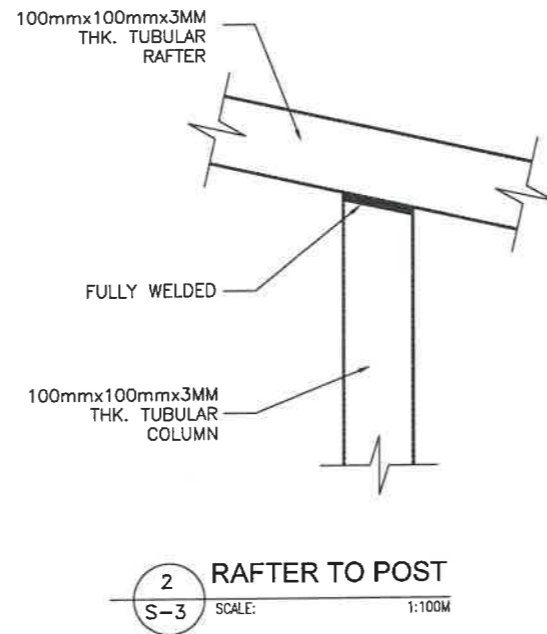
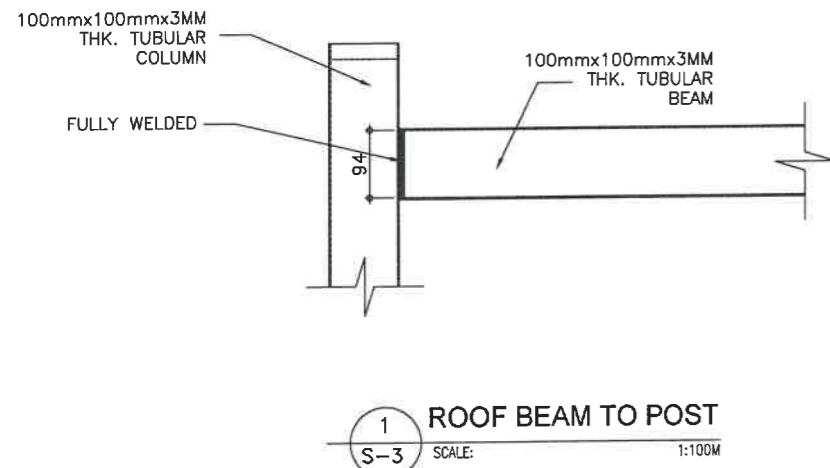


2 **RIGHT SIDE WALL SCHEDULE**  
S-2 SCALE 1:100 M.

3 **LEFT SIDE WALL SCHEDULE (LSW)**  
S-2 SCALE 1:100 M.

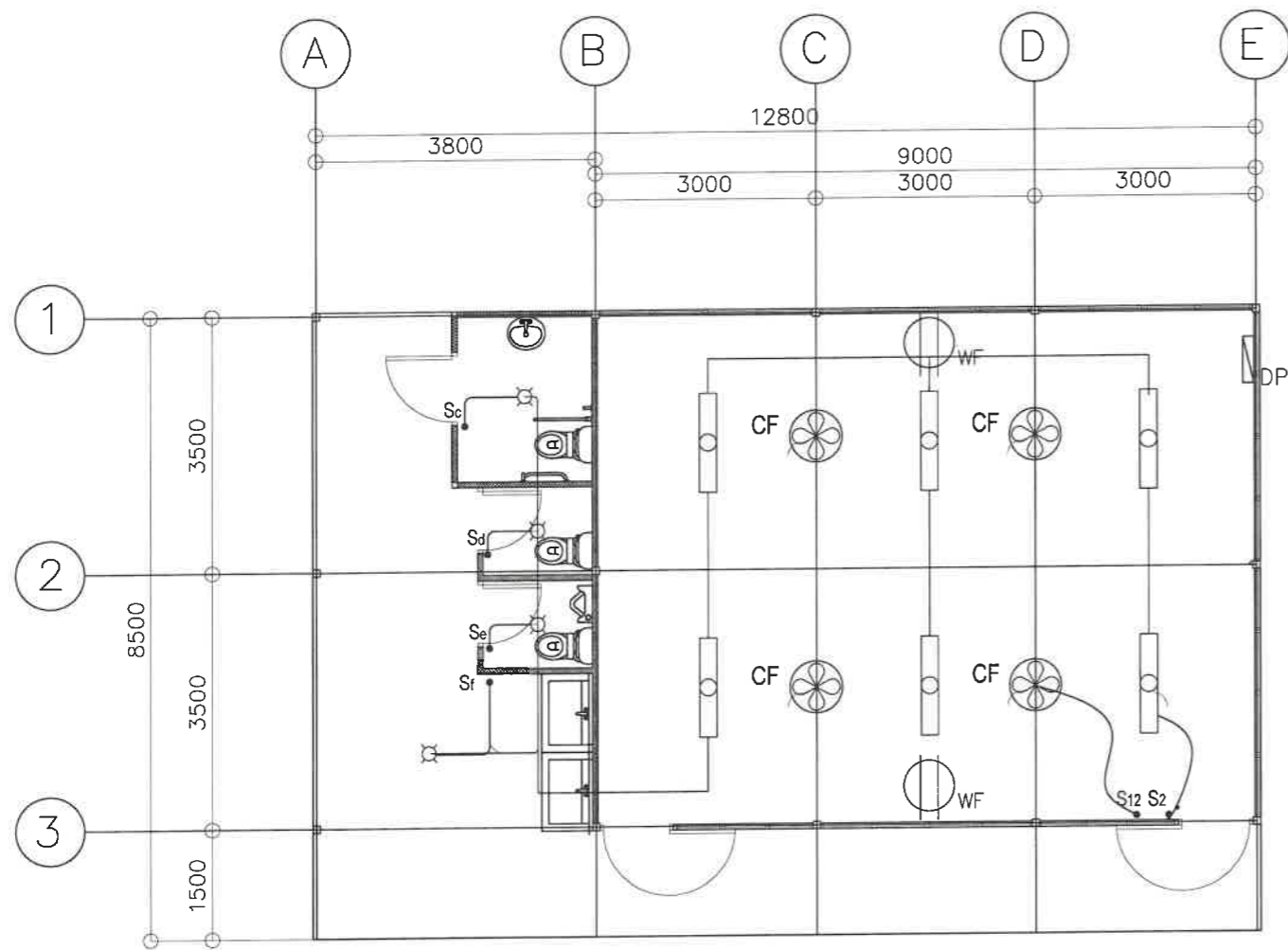
4 **LEFT SIDE WALL SCHEDULE (TWF)**  
S-2 SCALE 1:100 M.

<p>REPUBLIC OF THE PHILIPPINES DEPARTMENT OF EDUCATION EDUCATION FACILITIES DIVISION MERALCO AVENUE, PASIG CITY</p>	DRAWN BY :  <b>JUNELSON P. CULLADO</b> CAD OPERATOR DepED, EFD-HRODI	CHECKED BY :  <b>WILFREDO D. ALARCON</b> STRUCTURAL ENGINEER DepED, EFD-HRODI	RECOMMENDING APPROVAL : (SEE COVER PAGE) <b>MICHAEL OLIVER M. DE GUZMAN</b> DIRECTOR III DepED, EFD-HRODI	APPROVED BY : (SEE COVER PAGE) <b>AURELIO PAULO R. BARTOLOME</b> ASSISTANT SECRETARY DEPED, HUMAN RESOURCE AND ORGANIZATIONAL DEVELOPMENT AND INFRASTRUCTURE	APPROVED BY : (SEE COVER PAGE) <b>WILFREDO E. CABRAL</b> UNDERSECRETARY DEPED, HUMAN RESOURCE AND ORGANIZATIONAL DEVELOPMENT AND INFRASTRUCTURE	PROJECT TITLE : <b>PROPOSED BEFF - LEARNING CONTINUITY SPACE (LCS) SLAB ON GRADE (SOG)</b>	PROJECT CODE :	OWNER : <b>DEPARTMENT OF EDUCATION DepED</b>	SHEET NO : <b>S-2 3</b>
	SHEET CONTENTS : STRUCTURAL FRAMES (3D) RIGHT WALL SCHEDULE LEFT SIDE WALL SCHEDULE (LSW) LEFT SIDE WALL SCHEDULE (TWF)								

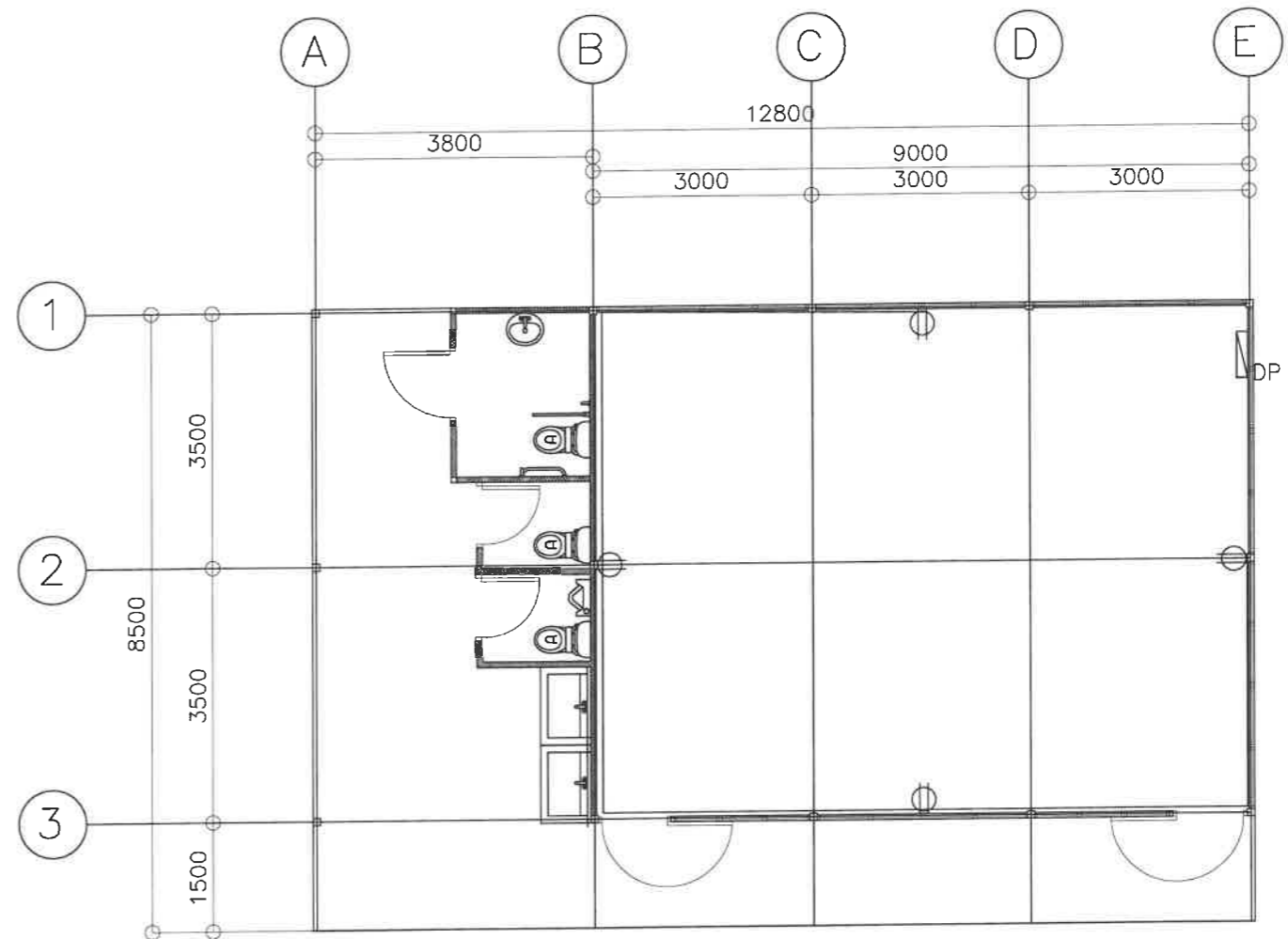


TYPICAL CONNECTION DETAILS

REPUBLIC OF THE PHILIPPINES DEPARTMENT OF EDUCATION EDUCATION FACILITIES DIVISION MERALCO AVENUE, PASIG CITY	DRAWN BY :  JUNELSON P. CULLADO CAD OPERATOR DepED, EFD-HRODI	CHECKED BY :  WILFREDO D. ALARCON STRUCTURAL ENGINEER DepED, EFD-HRODI	RECOMMENDING APPROVAL : (SEE COVER PAGE) MICHAEL OLIVER M. DE GUZMAN DIRECTOR III DepED, EFD-HRODI	APPROVED BY : (SEE COVER PAGE) AURELIO PAULO R. BARTOLOME ASSISTANT SECRETARY DEPED, HUMAN RESOURCE AND ORGANIZATIONAL DEVELOPMENT AND INFRASTRUCTURE	APPROVED BY : (SEE COVER PAGE) WILFREDO E. CABRAL UNDERSECRETARY DEPED, HUMAN RESOURCE AND ORGANIZATIONAL DEVELOPMENT AND INFRASTRUCTURE	PROJECT TITLE : PROPOSED BEFF - LEARNING CONTINUITY SPACE (LCS) SLAB ON GRADE (SOG)	PROJECT CODE :	OWNER : DEPARTMENT OF EDUCATION DepED	SHEET NO.:  3
---	---	--	--	---	--	--	----------------	---	---------------------



**1 LIGHTING & FIXTURE LAYOUT**  
E-1 SCALE 1:100 M.



**2 POWER LAYOUT**  
E-1 SCALE 1:100 M.

<p>REPUBLIC OF THE PHILIPPINES DEPARTMENT OF EDUCATION EDUCATION FACILITIES DIVISION MERALCO AVENUE, PASIG CITY</p>	DRAWN BY :  <b>JOHN PAUL B. LICARDO</b> REGISTERED ELECTRICAL ENGINEER DepED, EFD-HRODI	CHECKED BY :  <b>SIGMUND M. SANCHEZ</b> PROFESSIONAL ELECTRICAL ENGINEER DepED, EFD-HRODI	RECOMMENDING APPROVAL : (SEE COVER PAGE) <b>MICHAEL OLIVER M. DE GUZMAN</b> DIRECTOR III DepED, EFD-HRODI	APPROVED BY : (SEE COVER PAGE) <b>AURELIO PAULO R. BARTOLOME</b> ASSISTANT SECRETARY DEPED, HUMAN RESOURCE AND ORGANIZATIONAL DEVELOPMENT AND INFRASTRUCTURE	APPROVED BY : (SEE COVER PAGE)  <b>WILFREDO E. GARBAL</b> UNDERSECRETARY DEPED, HUMAN RESOURCE AND ORGANIZATIONAL DEVELOPMENT AND INFRASTRUCTURE	PROJECT TITLE : <b>PROPOSED BEFF - LEARNING CONTINUITY SPACE (LCS) SLAB ON GRADE (SOG)</b>	PROJECT CODE :	OWNER : <b>DEPARTMENT OF EDUCATION DepED</b>	SHEET NO : <b>E-1 2</b>
	SHEET CONTENTS : LIGHTING LAYOUT POWER LAYOUT								

# GENERAL NOTES

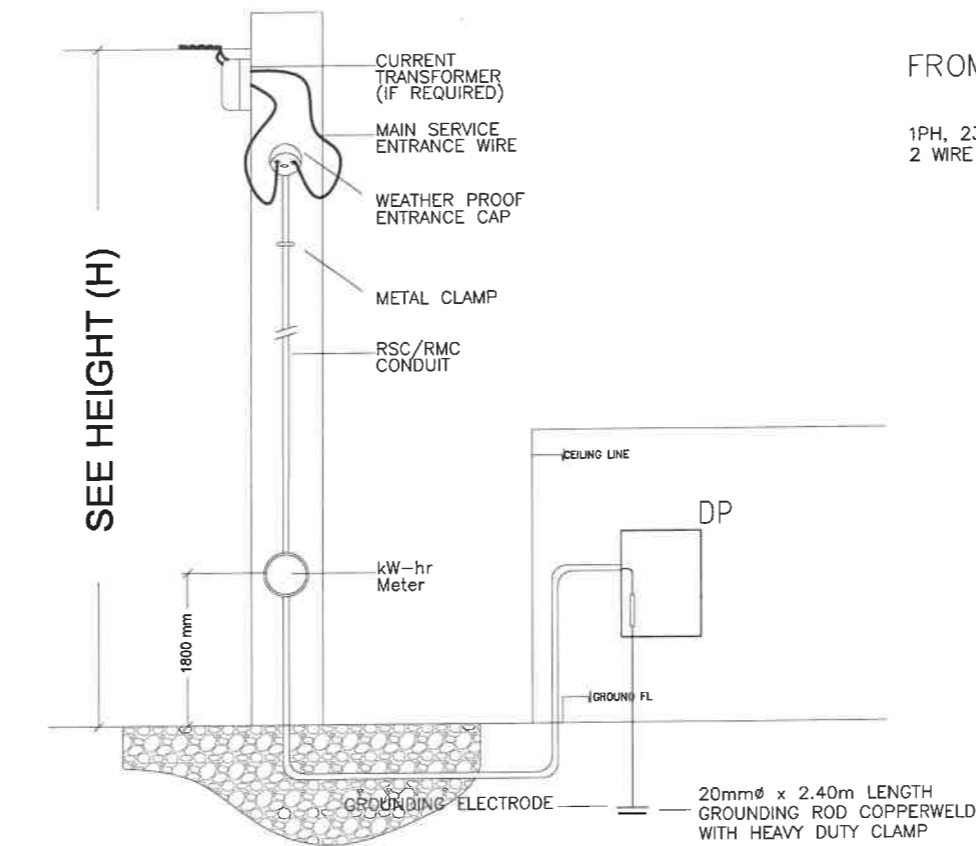
1. ALL ELECTRICAL WORKS HEREIN SHALL BE IN ACCORDANCE WITH THE LATEST EDITION OF THE PHILIPPINE ELECTRICAL CODE (PEC), EXISTING LOCAL ORDINANCES, RULES, AND REGULATIONS OF THE UTILITY COMPANY.
2. THE ELECTRICAL SERVICE POWER IS 1-PHASE 2-WIRE + GROUND 230VAC, 60HZ.
3. THE ELECTRICAL PLAN SHALL BE SIGNED AND SEALED BY A DULY LICENSED PROFESSIONAL ELECTRICAL ENGINEER AND THE INSTALLATION SHALL BE SUPERVISED BY AT LEAST A DULY LICENSED REGISTERED ELECTRICAL ENGINEER.
4. ALL ELECTRICAL WORK SHALL BE DONE UNDER THE DIRECT SUPERVISION OF A DULY LICENSED REGISTERED ELECTRICAL ENGINEER.
5. WIRING METHOD SHALL BE AS FOLLOWS.
  - a. FEEDERS AND RISER - IMC/RSC
  - b. LIGHTING, POWER RECEPTACLE - PVC SCHEDULE 40 BRANCH CKT. & AUXILIARY
6. ALL MATERIALS (EQUIPMENT AND DEVICES) TO BE INSTALLED BY THE CONTRACTOR SHALL BE NEW AND SHALL BEAR THE CERTIFICATION MARK (PHILIPPINE STANDARD QUALITY MARK OR IMPORT COMMODITY CLEARANCE) ISSUED BY THE DEPARTMENT OF TRADE AND INDUSTRY-BUREAU OF PRODUCT STANDARDS (DTI-BPS) FOR SPECIFIC PURPOSES.
7. STANDARD TYPES OF ACCESSORIES, SPLICING DEVICES, TERMINATION, AND OTHER APPURTENANCES FOR THE ENTIRE ELECTRICAL INSTALLATION SHALL BE USED.
8. PROVIDE A PULLBOX AS NEEDED TO FACILITATE INSERTION AND WITHDRAWAL OF WIRES WITHOUT ABRASION, CONDUIT BENDS SHALL BE MADE IN SUCH A WAY THAT THE INTERNAL DIAMETER IS NOT REDUCED.
9. ANY DISCREPANCY IN LOCATION AND RATING OF EQUIPMENT AND APARATUS SHALL BE VERIFIED WITH THE ENGINEER/OWNER OR ANY OF HIS REPRESENTATIVES AND CHANGES SHALL BE MADE ACCORDINGLY.
10. ALL PANELS, BREAKERS, AND SWITCHES MUST BE APPROPRIATELY TAGGED WITH FEEDERS/PANELS/BREAKERS SUPPLYING THEM.
11. GROUNDING CONNECTION SHOULD BE DONE BY EXOTHERMIC WELDING CONNECTION OR OTHER APPROVED SIMILAR PROCESS; MINIMUM GROUND RESISTANCE SHOULD BE 5 OHMS.
12. NEW BRANCH CIRCUITS SHALL BE LABELED AT THE ORIGINATING PANEL BOARD, ON THE PANEL BOARD LEGEND. THEY SHALL BE ALSO LABELED AT THE LOAD END ON THE RECEPTACLE, LIGHT SWITCH, OR THE PIECE OF EQUIPMENT (E.G. MOTOR STARTER, SAFETY SWITCH);
13. MOUNTING HEIGHT OF WIRING DEVICES SHALL BE AS FOLLOWS:
  - a. LIGHT SWITCH - 1.20 M ABOVE FINISH FLOOR
  - b. CONVENIENCE OUTLET - 0.30 M ABOVE FINISH FLOOR
  - c. PANELBOARD - 1.80 M ABOVE FINISH FLOOR
  - d. FIRE ALARM STATION OUTLET - 1.50 M. ABOVE FINISH FLOOR
  - e. PUSH BUTTON OUTLET - 1.20 M ABOVE FINISH FLOOR
  - f. FIRE ALARM & VIBRATING BELL - 0.30 M BELOW CEILING LINE

ADDITIONAL REQUIREMENTS:  
CONTRACTOR SHALL PERFORM THE APPLICABLE TEST FOR THE INSTALLATION OF ELECTRICAL WORKS TO BE REPORTED AS DETAILED AS FOLLOWS:

- A. INSULATION RESISTANCE TEST (MEGGER TEST)
- B. GROUND RESISTANCE TEST
- C. OPERATIONAL TEST
- D. PHASE BALANCE TEST
- E. PHASE SEQUENCE TEST
- F. SYSTEM TEST

## 1 SINGLE LINE DIAGRAM

SCALE: E-2 NTS.  
REINFORCED CONCRETE ELECTRIC PEDESTAL 5.00m X 0.30m X 0.30m



## 3 SCHEDULE OF LOADS

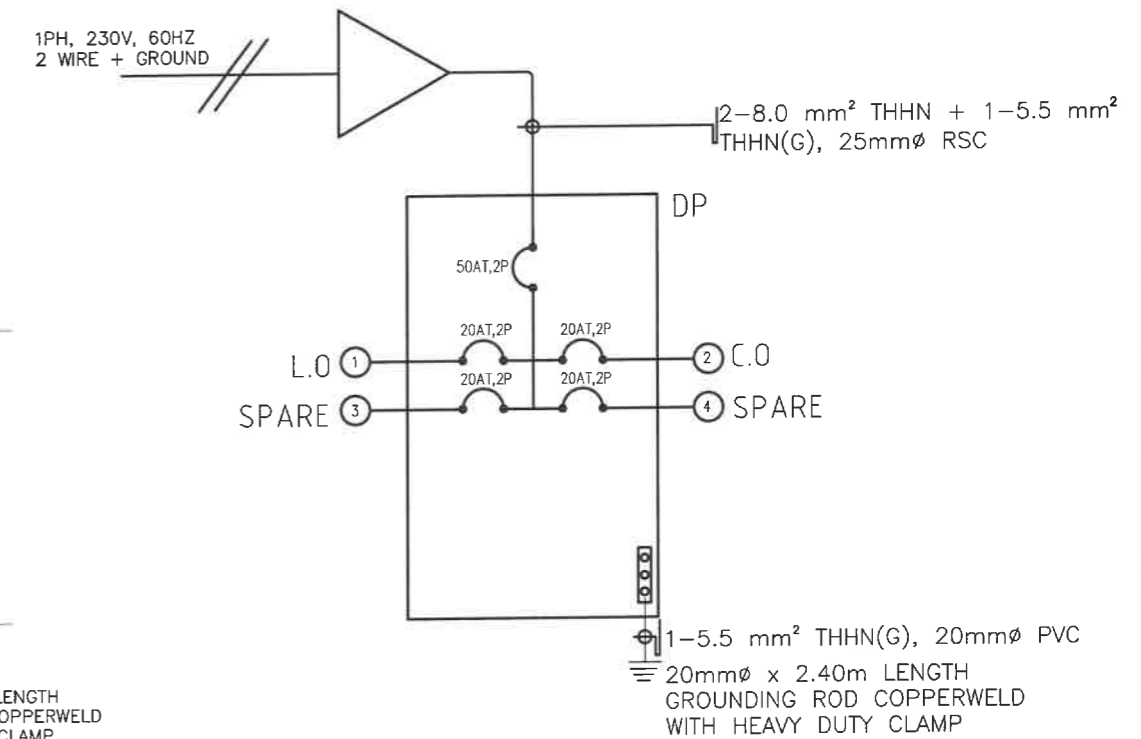
SCALE: E-2 NTS.

PANEL NAME	DP	MAIN FI	
PANEL LOCATION	VERIFY LOCATION		X
ENCLOSURE	NEMA 1		G
VOLTAGE SYSTEM	230	SETS	
PHASE	1	TYPE	
DETAILS		AMPER	
CKT. NO.	LOAD DESCRIPTION	V	VA AB BC
1	6- 2X40W LED LIGHTING LOAD 4- 1X18W LED LIGHTING LOAD 4- CEILING FAN 2- WALL FAN	230	1,080.00 4.70
2	CONVENIENCE OUTLET	230	720.00 3.13
3	SPARE	230	1,000.00 4.35
4	SPARE	230	1,000.00 4.35
			16.52 0
TOTAL CONNECTED LOAD		SIZE	
3PH + 1PH LOAD		16.53 A	
25 % OF HIGHEST CONTINUOUS LOAD		1.17 A	2-
HIGHEST CURRENT LOAD (MOTOR LOAD)		0 A	
25 % HIGHEST CURRENT LOAD (MOTOR LOAD)		0 A	TYPE:
DEMAND FACTOR		0.8	
MAIN FEEDER		14.16 A	THHN/TI
MAIN CIRCUIT BREAKER		14.16 A	

## 2 ELECTRICAL RISER DIAGRAM

SCALE: E-2 NTS.

FROM SERVICE ENTRANCE



## LEGEND & SYMBOLS

	1 x 18W COMPACT FLOURESCENT LAMP WITH MEDIUM BASE, KEYLESS TYPE PORCELAIN RECEPTACLE
	2 x 40W FLOURESCENT LAMP, T5
	ONE GANG DEVICE SWITCH
	TWO GANG DEVICE SWITCH
	DISTRIBUTION PANEL "DP"
	WALL FAN
	CEILING FAN
	GROUNDING TYPE, UNIVERSAL CONVENIENCE OUTLET (3 PRONG)

REPUBLIC OF THE PHILIPPINES



DRAWN BY :

*John Paul B. Licardo*  
JOHN PAUL B. LICARDO  
REGISTERED ELECTRICAL ENGINEER  
DepED, EFD-HRODI

CHECKED BY :

*Siegmond M. Sanchez*  
SIEGMUND M. SANCHEZ  
PROFESSIONAL ELECTRICAL ENGINEER  
DepED, EFD-HRODI

RECOMMENDING APPROVAL :

(SEE COVER PAGE)  
MICHAEL OLIVER M. DE GUZMAN  
DIRECTOR III  
DepED, EFD-HRODI

APPROVED BY :

(SEE COVER PAGE)  
AURELIO PAULO R. BARTOLOME  
ASSISTANT SECRETARY  
DEPED, HUMAN RESOURCE AND ORGANIZATIONAL DEVELOPMENT AND INFRASTRUCTURE

APPROVED BY :

(SEE COVER PAGE)  
WILFREDO E. CABRAL  
UNDERSECRETARY  
DEPED, HUMAN RESOURCE AND ORGANIZATIONAL DEVELOPMENT AND INFRASTRUCTURE

PROJECT TITLE :

PROPOSED BEFF - LEARNING CONTINUITY SPACE (LCS) SLAB ON GRADE (SOG)

PROJECT CODE :

OWNER :

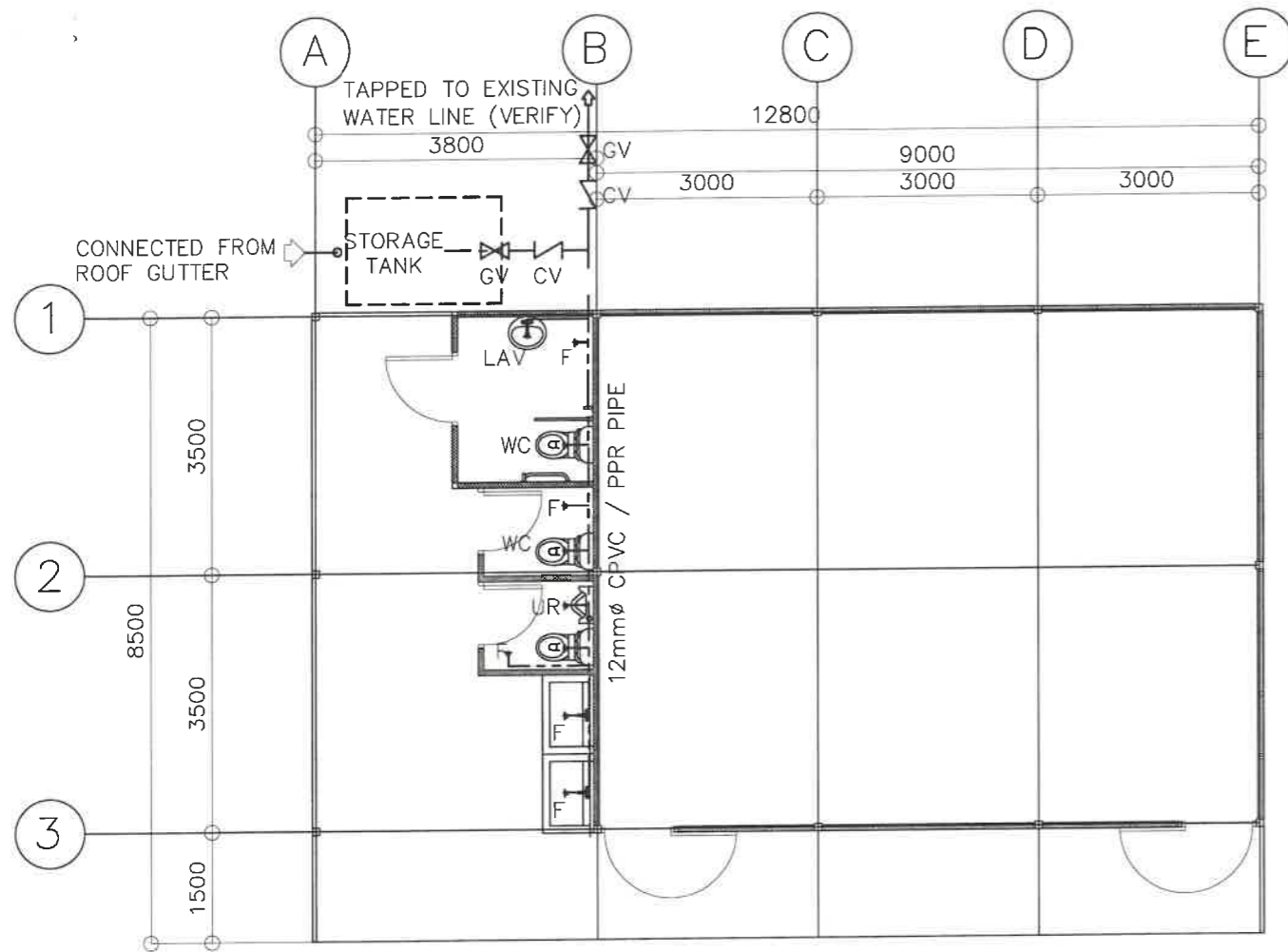
DEPARTMENT OF EDUCATION  
DepED

SHEET CONTENTS :  
- GENERAL NOTES  
- LEGEND & SYMBOLS  
- SCHEDULE OF LOADS  
- SINGLE LINE DIAGRAM  
- ELECTRICAL RISER DIAGRAM

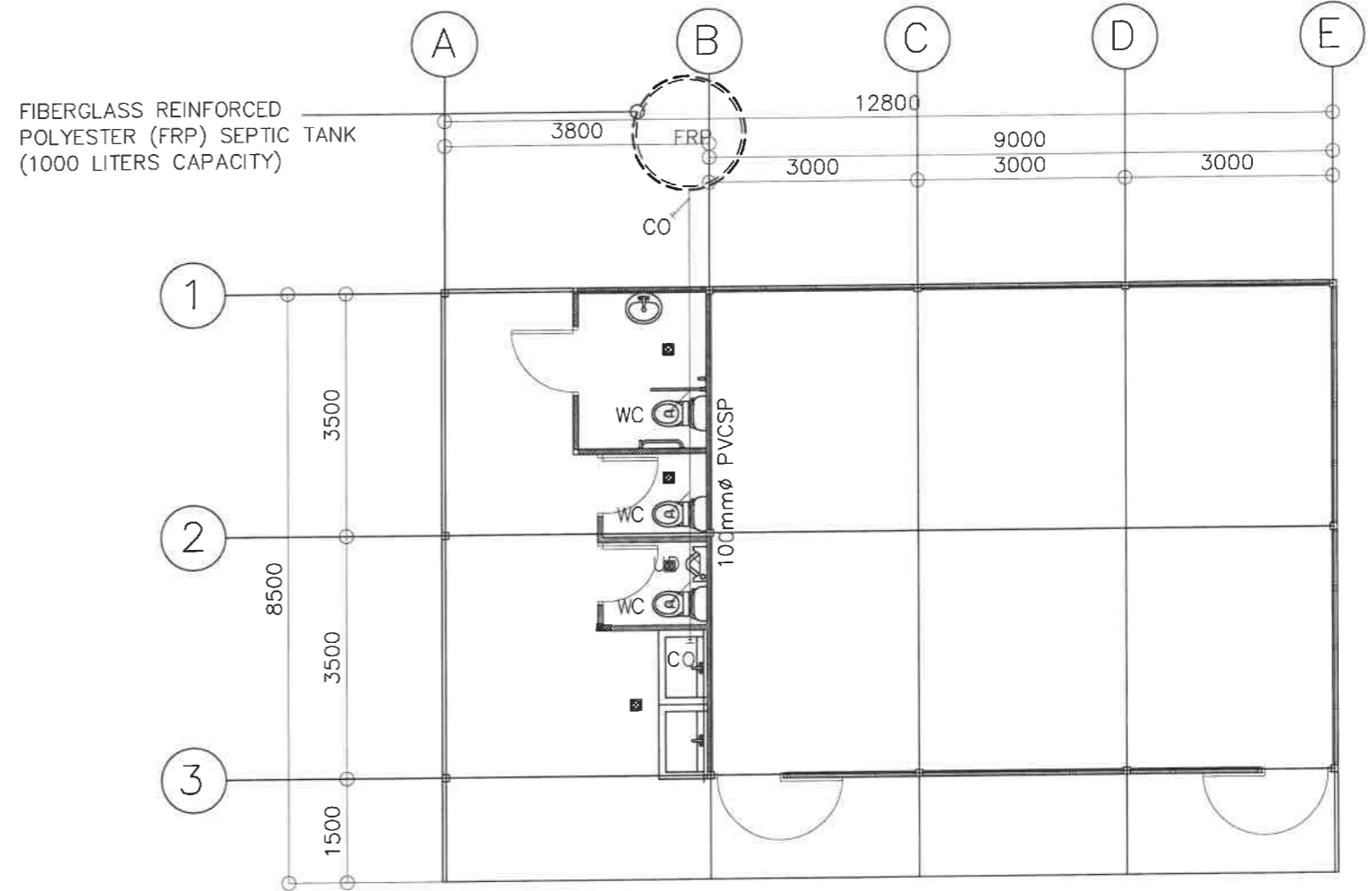
SHEET NO.:

E-2

2



**1 WATER LINE LAYOUT**  
P-1 SCALE 1:100 M.

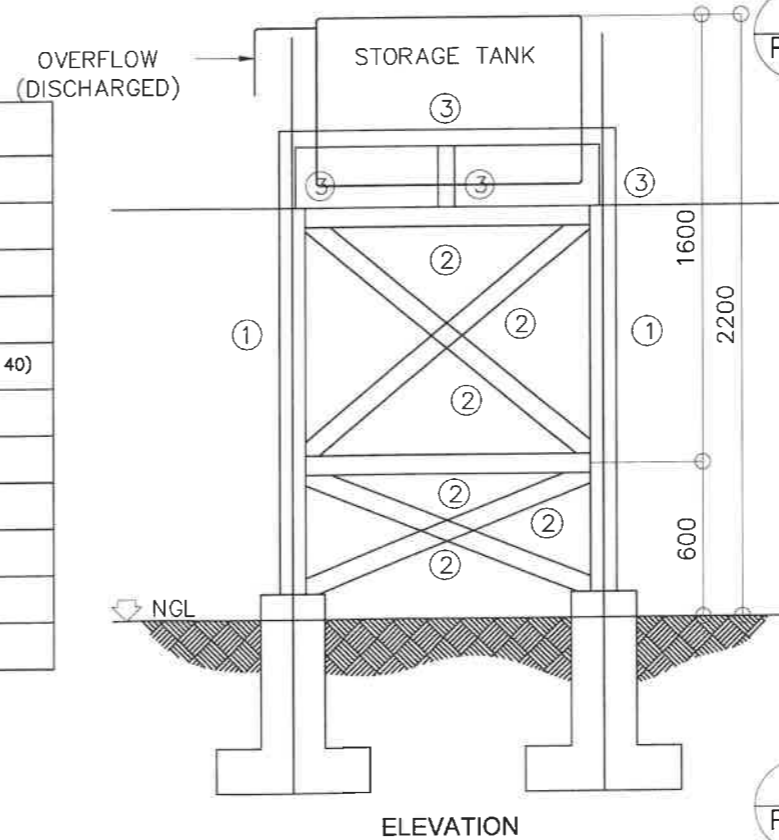


**2 SANITARY LINE LAYOUT**  
P-1 SCALE 1:100 M.

**GENERAL NOTES**

- THE GRADES OF HORIZONTAL PIPINGS RUN ALL HORIZONTAL PIPINGS IN PERFECT ALIGNMENT AND AT A FORM GRADE NOT LESS THAN TWO PERCENT (2%)
- CHANGE IN DIRECTION ALL CHANGE IN DIRECTION SHALL BE MADE BY APPROPRIATE USE OF FORTY-FIVE DEGREES (45°) WYES, LONG SWEEP QUARTER BEND, SIXTH-EIGHT OR SIXTEENTH BEND. WHEN THE CHANGE OF FLOW IS FROM HORIZONTAL TO VERTICAL A SINGLE 1/8 BEND COMBINATION MAYBE USED ON VERTICAL STACKS AND SHORT QUARTER BENDS MAYBE USED ON WASTE LINE, TEE AND CROSSES MAYBE USED IN BENT PIPES.
- PROHIBITED FITTINGS: NO DOUBLE HUB OR TEE BRANCH SHALL BE USED ON HORIZONTAL SOIL AND WASTE LINES, THE DRILLINGS AND TAPPING OF HOUSE DRAIN, WASTE OR VENT PIPES AND USED OF SADDLE HUB AND BEND ARE PROHIBITED.
- PIPE CLEAN-OUTS CLEAN-OUTS ARE REQUIRED UNDER THE FOLLOWING CONDITIONS:
  - EVERY CHANGE OF HORIZONTAL DIRECTION EXCEEDING TWENTY TWO AND ONE-HALF DEGREES (22 1/2°).
  - ONE AND ONE-HALF METERS (1.50m.) INSIDE THE PROPERTY LINES BEFORE THE HOUSE DRAINAGE CONNECTION.
  - EVERY FIFTEEN METERS (15.00m) IN HORIZONTAL RUN OF PIPES.
  - AT THE END OF ANY HORIZONTAL PIPE LINES.
- ALL PLUMBING WORKS SHALL BE EXECUTED WITH THE HIGHEST WORKMANSHIP AND PROPERLY INSTALLED.

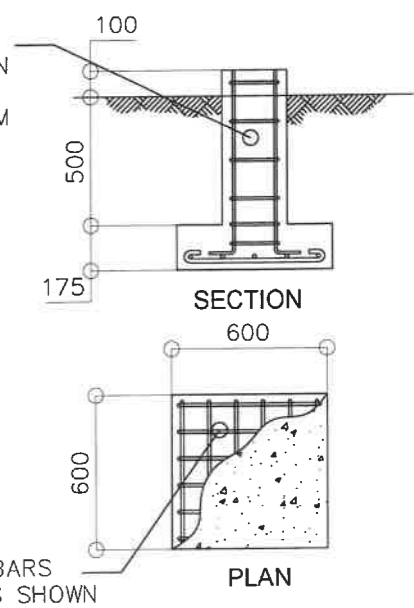
LEGEND	
CO	CLEAN OUT
CV	CHECK VALVE
F	FAUCET (LEVER TYPE)
FD	FLOOR DRAIN
CWL	COLD WATER LINE (SCH. 40)
GV	GATE VALVE
MH	MANHOLE
UD	URINAL DRAIN
WC	WATER CLOSET
LAV	LAVATORY
CS	COUNTER SINK

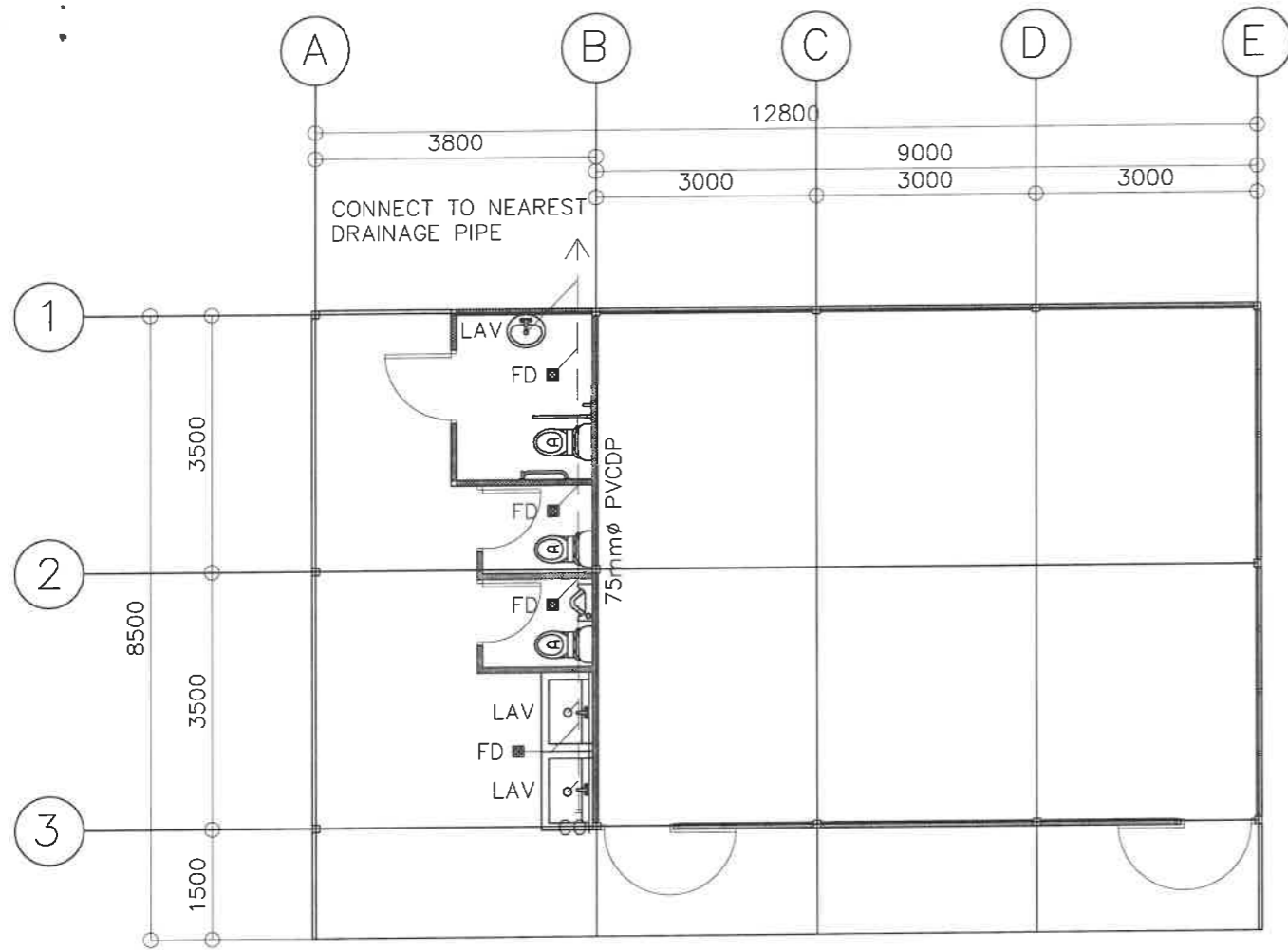


**3 STORAGE TANK DETAIL**  
P-1 SCALE 1:30 M.

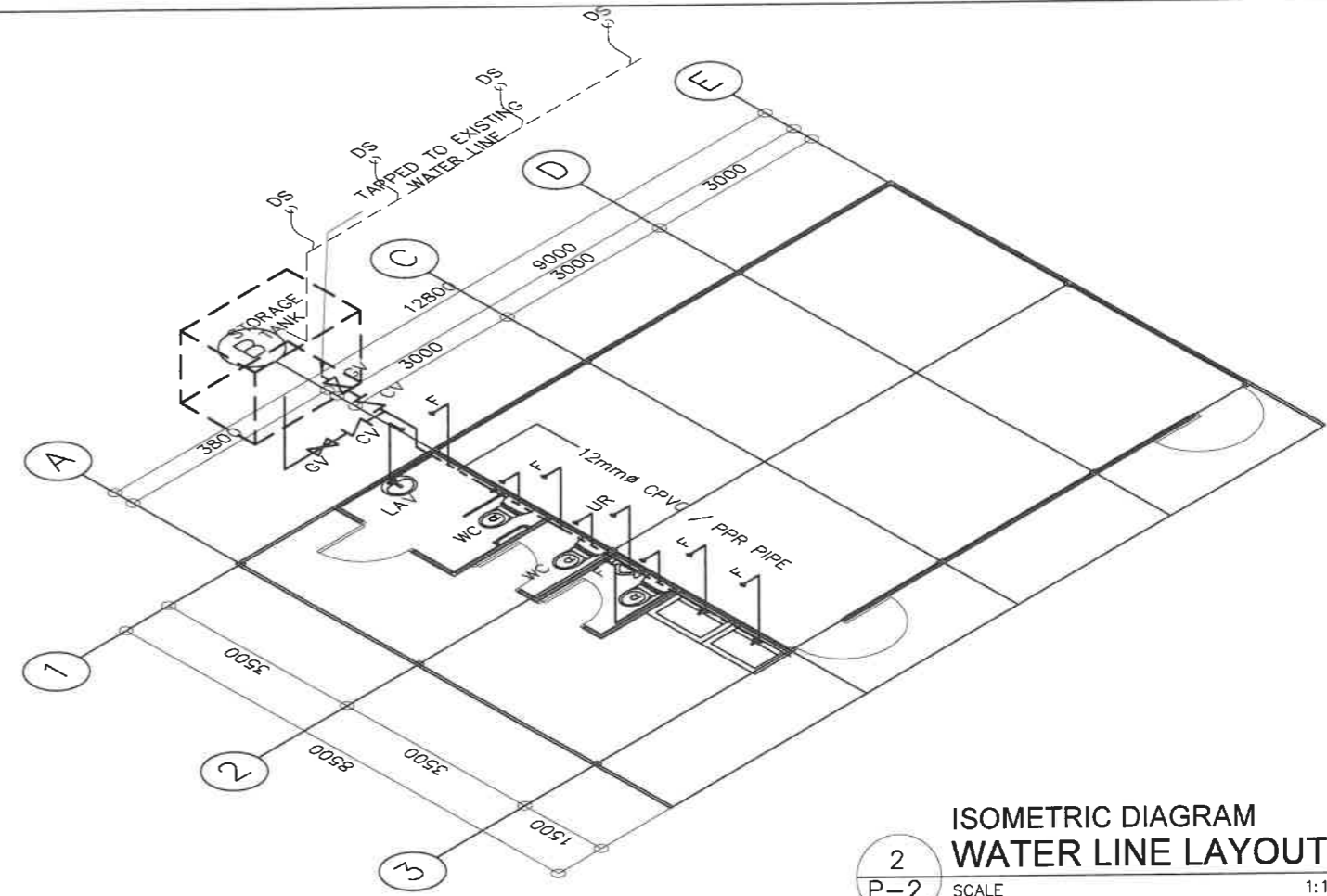
250MMX250MM CONCRETE PEDESTAL W/ 4-12MMØ MAIN BARS & LAT. TIES 10MMØ - 1@50, 2@100, REST @ 200MM

STORAGE TANK LEGEND:  
 ① L 4" X 4" X 1/4"  
 ② L 3" X 3" X 1/4"  
 ③ L 2 1/2" X 2 1/2" X 1/4"

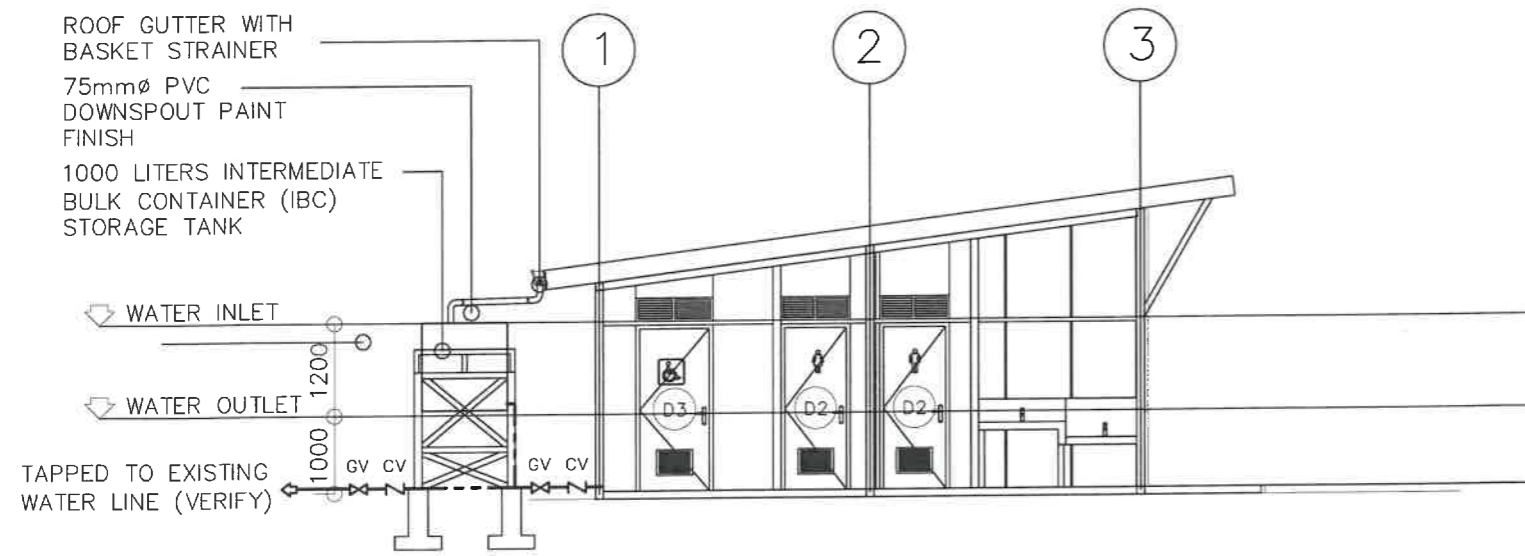




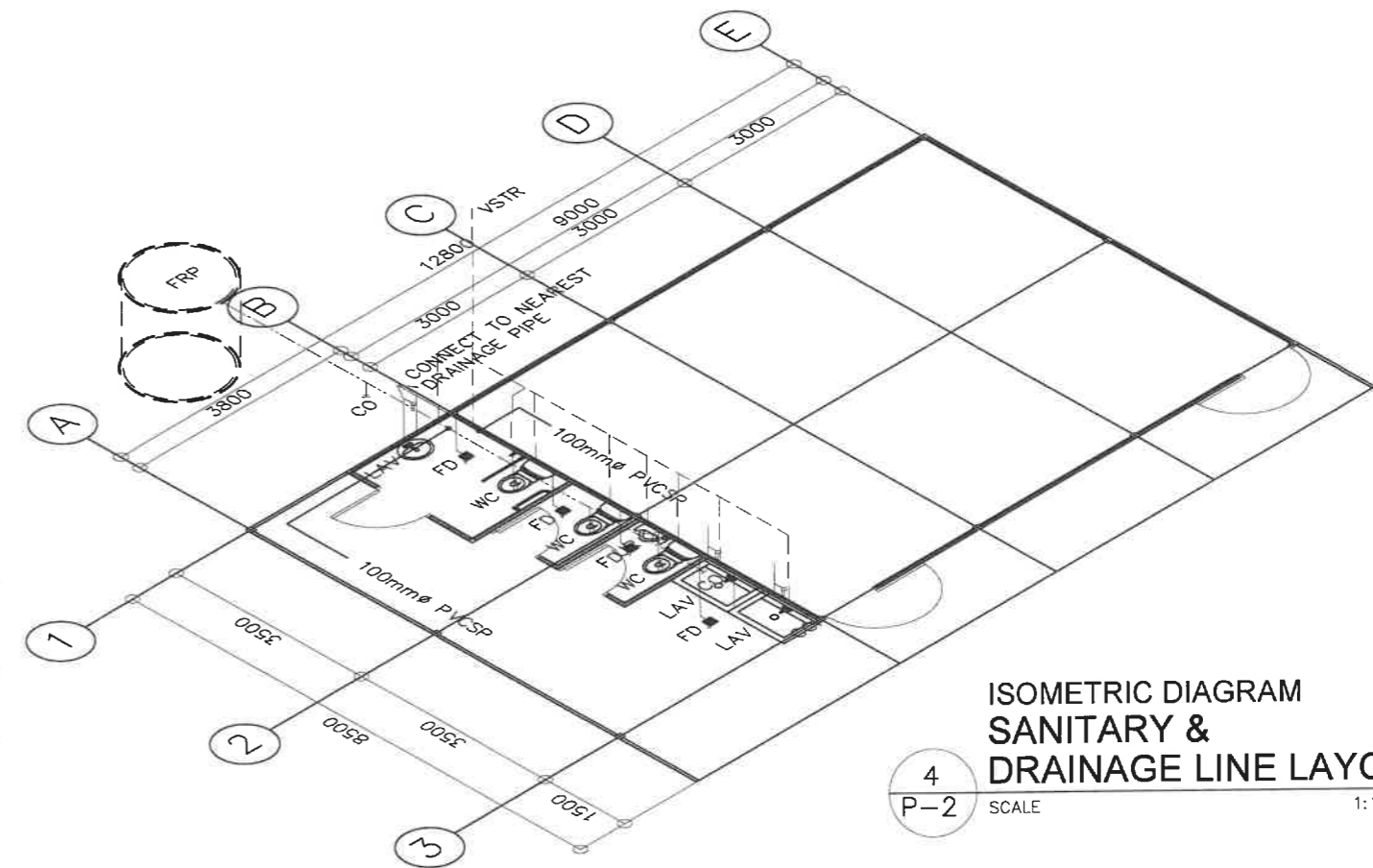
**1 DRAINAGE LINE LAYOUT**  
P-2 SCALE 1:100 M.



**2 ISOMETRIC DIAGRAM WATER LINE LAYOUT**  
P-2 SCALE 1:100 M.



**3 RAIN WATER HARVESTING SYSTEM DIAGRAM**  
P-2 SCALE 1:100 M.



**4 ISOMETRIC DIAGRAM SANITARY & DRAINAGE LINE LAYOUT**  
P-2 SCALE 1:100 M.

<p>REPUBLIC OF THE PHILIPPINES DEPARTMENT OF EDUCATION EDUCATION FACILITIES DIVISION MERALCO AVENUE, PASIG CITY</p>	DRAWN BY :	CHECKED BY :	RECOMMENDING APPROVAL :	APPROVED BY :	APPROVED BY :	PROJECT TITLE :	PROJECT CODE :	OWNER :	SHEET NO. :
	<p>JUNELSON P. COLLADO CAD OPERATOR DepED, EFD-HRODI</p>	<p>ALDRIN C. TADAO MASTER PLUMBER DepED, EFD-HRODI</p>	<p>(SEE COVER PAGE) MICHAEL OLIVER M. DE GUZMAN DIRECTOR III DepED, EFD-HROD</p>	<p>(SEE COVER PAGE) AURELIO PAULO R. BARTOLOME ASSISTANT SECRETARY DEPED, HUMAN RESOURCE AND ORGANIZATIONAL DEVELOPMENT</p>	<p>(SEE COVER PAGE) WILFREDO E. LABRAN UNDERSECRETARY DEPED, HUMAN RESOURCE AND ORGANIZATIONAL DEVELOPMENT</p>	<p>PROPOSED BEFF - LEARNING CONTINUITY SPACE (LCS) SLAB ON GRADE (SOG)</p>			<p>DEPARTMENT OF EDUCATION DepED</p>
<p>SHEET CONTENTS : DRAINAGE LINE LAYOUT ISOMETRIC WATER LINE LAYOUT RAIN WATER HARVESTING SYSTEM DIAGRAM ISOMETRIC SANITARY &amp; DRAINAGE LAYOUT</p>									